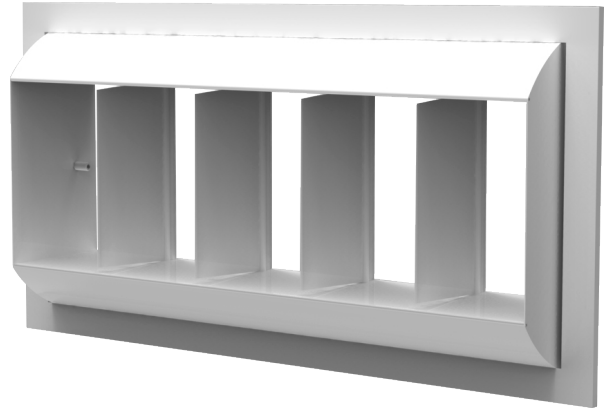


# RTAA MODEL

## EXTRUDED ALUMINUM DRUM LOUVER



- Recommended for cooling, heating, and ventilation of: Theaters, Arenas, Gymnasiums, Convention Halls, Airports, Factories, Shopping Malls, and any other type of area where it could be impractical to have air ducts near the occupants and in where it is required to manage big volumens of air and long range throws.
- The scope and the vertical or horizontal direction of the throw can be adjusted through the rotary motion of the drum and its pivoted blades.
- The drum can rotate approximately 30° up or down the center line allowing an angular adjustment of the air stream of almost 60° (there may be variations).
- The grids can be installed in either horizontal or vertical position, providing virtually unlimited application opportunities without location restrictions.
- Thanks to its application the grids require sections of small air ducts which makes this, one of the most affordable grids to install in comparison with the majority of other type of air outlets.

### CONSTRUCTION:

Extruded Aluminum Blades every 3" (RTAA8) or every 5" (RTAA10, RTAA12, and RTAA15) between centers.

### FINISH:

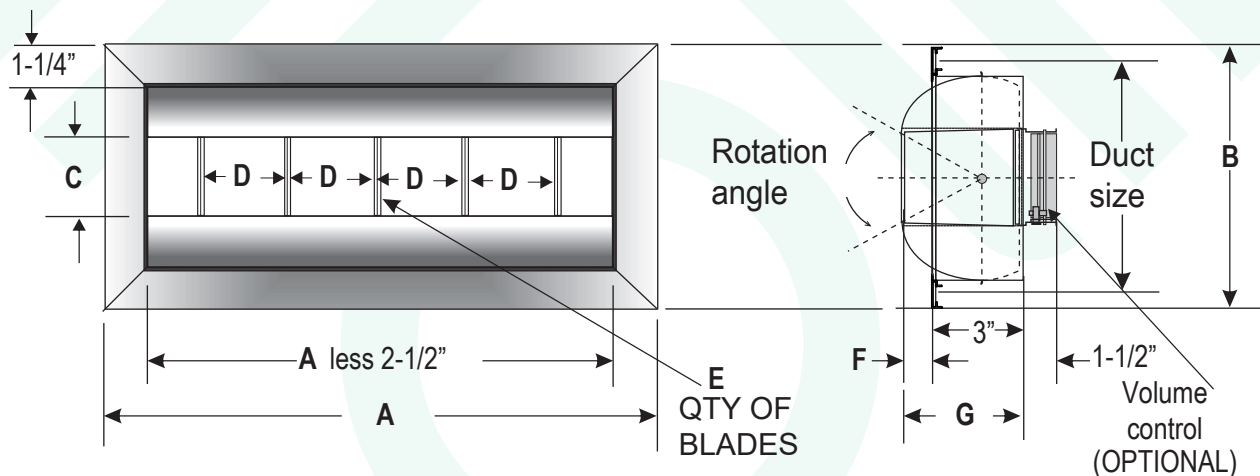
Standard white Anodic acrylic paint. Other colors available.

### VOLUMEN CONTROL:

This grids can be furnish with volumen control of opposite blades (CO MODEL), optional; however the use of this controls turns impractical when discharge speeds that cause static pressures over 0.25" of water column are used.

Maximum measure of 1 piece: 70"x 15"  
Minimum measue of 1 piece: 9"x 6"

## Dimensional Data



## NOMINAL DIMENTIONS OF THE DRUM'S GRID

	SELECTED SIZE (INCHES)	DIMENTIONS IN INCHES							
		DUCT SIZE	A	B	C	D	E QTY of Blades	F	G
RTAA - 6	9 x 6	9-1/4 x 6-1/2	11-5/16	8-1/4	3	3	2	1	4
	12 x 6	12-1/4 x 6-1/2	14-5/16	8-1/4	3	3	3	1	4
	18 x 6	18-1/4 x 6-1/2	20-5/16	8-1/4	3	3	5	1	4
	24 x 6	24-1/4 x 6-1/2	26-5/16	8-1/4	3	3	7	1	4
	30 x 6	30-1/4 x 6-1/2	32-5/16	8-1/4	3	3	9	1	4
	36 x 6	36-1/4 x 6-1/2	38-5/16	8-1/4	3	3	11	1	4
	48 x 6	48-1/4 x 6-1/2	50-5/16	8-1/4	3	3	15	1	4
	60 x 6	60-1/4 x 6-1/2	62-5/16	8-1/4	3	3	19	1	4
RTAA - 8	18 x 8	18-5/16 x 8-1/2	20-1/4	10 -1/4	4-1/4	3	5	1	4
	24 x 8	24-5/16 x 8-1/2	26-1/4	10 -1/4	4-1/4	3	7	1	4
	30 x 8	30-5/16 x 8-1/2	32-1/4	10 -1/4	4-1/4	3	9	1	4
	36 x 8	36-5/16 x 8-1/2	38-1/4	10 -1/4	4-1/4	3	11	1	4
	42 x 8	42-5/16 x 8-1/2	44-1/4	10 -1/4	4-1/4	3	13	1	4
	48 x 8	48-5/16 x 8-1/2	50-1/4	10 -1/4	4-1/4	3	15	1	4
	60 x 8	60-5/16 x 8-1/2	62-1/4	10 -1/4	4-1/4	3	19	1	4
RTAA - 10	20 x 10	20-3/8 x 10-1/2	22-5/16	11-3/4	5-1/2	5	3	2-1/4	5-1/4
	25 x 10	25-3/8 x 10-1/2	27-5/16	11-3/4	5-1/2	5	4	2-1/4	5-1/4
	30 x 10	30-3/8 x 10-1/2	32-5/16	11-3/4	5-1/2	5	5	2-1/4	5-1/4
	35 x 10	35-3/8 x 10-1/2	37-5/16	11-3/4	5-1/2	5	6	2-1/4	5-1/4
	40 x 10	40-3/8 x 10-1/2	42-5/16	11-3/4	5-1/2	5	7	2-1/4	5-1/4
	50 x 10	50-3/8 x 10-1/2	52-5/16	11-3/4	5-1/2	5	9	2-1/4	5-1/4
	60 x 10	60-3/8 x 10-1/2	62-5/16	11-3/4	5-1/2	5	11	2-1/4	5-1/4
RTAA - 12	20 x 12	20-5/16x12-1/2	22-1/2	13 -3/16	7	5	4	2-5/16	5-1/4
	30 x 12	30-5/16x12-1/2	32-1/2	14 -3/16	7	5	5	2-5/16	5-1/4
	40 x 12	40-5/16x12-1/2	42-1/2	14 -3/16	7	5	7	2-5/16	5-1/4
	50 x 12	50-5/16x12-1/2	52-1/2	14 -3/16	7	5	9	2-5/16	5-1/4
	60 x 12	60-5/16x12-1/2	62-1/2	14 -3/16	7	5	11	2-5/16	5-1/4
RTAA - 15	20 x 15	20-5/16x14-1/2	22-1/2	16-3/8	9-3/4	5	3	2-1/2	5-1/4
	25 x 15	25-5/16x14-1/2	27-1/2	16-3/8	9-3/4	5	4	2-1/2	5-1/4
	30 x 15	30-5/16x14-1/2	32-1/2	16-3/8	9-3/4	5	5	2-1/2	5-1/4
	36X15	36-5/16X14-1/2	38-1/2	16-3/8	9-3/4	5	6	2-1/2	5-1/4
	40 x 15	40-5/16x14-1/2	42-1/2	16-3/8	9-3/4	5	7	2-1/2	5-1/4
	50 x 15	50-5/16x14-1/2	52-1/2	16-3/8	9-3/4	5	9	2-1/2	5-1/4
	60 x 15	60-5/16x14-1/2	62-1/2	16-3/8	9-3/4	5	11	2-1/2	5-1/4
	70 x 15	70-5/16x14-1/2	74-1/4	16-3/8	9-3/4	5	13	2-1/2	5-1/4

**IMPORTANT:** This grids are **only** made on the indicated vertical measurements (6, 8, 10, 12, and 15) the horizontal measurements may vary.

**\*NOTE:** Due to our policy of continuous improvement and upgrade of our products, NAMM reserves the right to make the necessary changes whenever we consider it necessary.

# RTAA-15 MODEL

## HIGH THROW DRUM GRILLE

TABLE 1 - PERFORMANCE DATA

NOMINAL SIZE (IN.)	NECK VELOCITY (FT-MIN)	NC 20				NC 30			NC 40
		300	400	500	600	700	800	900	1000
	VEL. PRESSURE (in. H <sub>2</sub> O)	0.0056	0.0097	0.0155	0.0224	0.0305	0.0399	0.0504	0.0623
	TOTAL PRESSURE (in. H <sub>2</sub> O)	<b>0.048</b>	<b>0.083</b>	<b>0.129</b>	<b>0.185</b>	<b>0.250</b>	<b>0.325</b>	<b>0.412</b>	<b>0.509</b>
9 X 6 NA = 0.42	CFM	<b>126</b>	<b>168</b>	<b>210</b>	<b>252</b>	<b>294</b>	<b>336</b>	<b>378</b>	<b>420</b>
	THROW (Feet)	5-6-14	7-11-20	9-13-24	11-15-27	13-18-30	15-21-32	17-23-34	19-25-36
	NOISE CRITERIA (NC)	–	–	12	17	23	28	32	35
12 X 6 NA = 0.56	CFM	<b>168</b>	<b>224</b>	<b>280</b>	<b>336</b>	<b>392</b>	<b>448</b>	<b>504</b>	<b>560</b>
	THROW (Feet)	8-10-19	10-15-25	12-18-29	14-20-33	17-23-36	20-26-39	23-28-41	25-31-43
	NOISE CRITERIA (NC)	–	13	17	21	24	29	33	42
18 X 6 NA = 0.83	CFM	<b>249</b>	<b>332</b>	<b>415</b>	<b>498</b>	<b>581</b>	<b>664</b>	<b>747</b>	<b>830</b>
	THROW (Feet)	11-15-24	13-19-30	16-23-34	18-25-38	22-28-42	25-30-45	28-33-47	30-36-50
	NOISE CRITERIA (NC)	–	14	18	23	27	32	35	41
24 X 6 NA = 1.10	CFM	<b>330</b>	<b>440</b>	<b>550</b>	<b>660</b>	<b>770</b>	<b>880</b>	<b>990</b>	<b>1100</b>
	THROW (Feet)	14-19-30	17-23-36	20-27-39	23-29-44	26-32-48	28-36-52	32-38-54	34-41-58
	NOISE CRITERIA (NC)	11	15	19	24	29	34	40	42
30 X 6 NA = 1.37	CFM	<b>411</b>	<b>548</b>	<b>685</b>	<b>822</b>	<b>959</b>	<b>1096</b>	<b>1233</b>	<b>1370</b>
	THROW (Feet)	17-23-35	21-27-41	24-31-44	28-34-50	30-36-54	32-42-60	37-43-62	38-46-66
	NOISE CRITERIA (NC)	12	16	21	25	32	36	42	44
36 X 6 NA = 1.64	CFM	<b>492</b>	<b>656</b>	<b>820</b>	<b>984</b>	<b>1148</b>	<b>1312</b>	<b>1476</b>	<b>1640</b>
	THROW (Feet)	20-27-39	23-30-44	27-34-49	31-38-55	33-40-60	35-44-63	40-48-67	42-51-73
	NOISE CRITERIA (NC)	13	17	22	25	34	40	44	46
48 X 6 NA = 2.18	CFM	<b>654</b>	<b>872</b>	<b>1090</b>	<b>1308</b>	<b>1526</b>	<b>1744</b>	<b>1962</b>	<b>2180</b>
	THROW (Feet)	23-31-43	26-32-48	30-37-54	34-42-60	36-44-66	38-47-68	43-53-72	46-56-80
	NOISE CRITERIA (NC)	14	18	23	26	35	42	45	47
60 X 6 NA = 2.72	CFM	<b>816</b>	<b>1088</b>	<b>1360</b>	<b>1632</b>	<b>1904</b>	<b>2176</b>	<b>2448</b>	<b>2720</b>
	THROW (Feet)	28-33-48	32-37-54	35-42-62	38-46-67	40-50-72	44-56-74	49-60-82	53-64-90
	NOISE CRITERIA (NC)	15	20	24	27	36	44	46	48

**NOTES:**

- 1- CFM IS AIR FLOW IN CUBIC FEET PER MINUTE.
- 2- NC IS NOISE CRITERIA BASED ON 10 db ROOM ABSORPTION (Re:10-12 WATTS.)
- 3- THROW DATA IS BASED ON ISOTHERMAL MIXED AIR AT 150, 100 & 50 FEET PER MINUTE TERMINAL VELOCITIES RESPECTIVELY.
- 4- NA IS NECK AREA IN SQUARE FEET.
- 5- NV IS NECK VELOCITY IN FEET PER MINUTE.

## HIGH THROW DRUM GRILLE

TABLE 2 - PERFORMANCE DATA

NOMINAL SIZE (IN.)	NECK VELOCITY (FT-MIN)	NC   20			NC   30				
		300	400	500	600	700	800	900	1000
	VEL. PRESSURE (in. H <sub>2</sub> O)	0.0056	0.0097	0.0155	0.0224	0.0305	0.0399	0.0504	0.0623
	TOTAL PRESSURE (in. H <sub>2</sub> O)	<b>0.040</b>	<b>0.070</b>	<b>0.107</b>	<b>0.155</b>	<b>0.210</b>	<b>0.230</b>	<b>0.346</b>	<b>0.426</b>
18 x 8 NA = 1.08	CFM	<b>324</b>	<b>432</b>	<b>540</b>	<b>648</b>	<b>756</b>	<b>864</b>	<b>972</b>	<b>1080</b>
	THROW (Feet)	12-16-25	15-20-31	18-23-35	21-26-38	23-28-42	25-32-47	26-34-49	30-37-51
	NOISE CRITERIA (NC)	-	13	17	22	28	33	36	38
24 x 8 NA = 1.44	CFM	<b>432</b>	<b>576</b>	<b>720</b>	<b>864</b>	<b>1008</b>	<b>1152</b>	<b>1296</b>	<b>1440</b>
	THROW (Feet)	14-19-28	17-23-35	20-26-40	23-29-44	26-33-47	28-36-53	32-38-56	34-42-61
	NOISE CRITERIA (NC)	13	15	20	25	29	34	37	42
30 x 8 NA = 1.79	CFM	<b>537</b>	<b>716</b>	<b>895</b>	<b>1074</b>	<b>1253</b>	<b>1432</b>	<b>1611</b>	<b>1790</b>
	THROW (Feet)	18-23-35	20-26-39	23-31-43	26-34-50	30-37-56	34-40-60	37-44-63	40-47-70
	NOISE CRITERIA (NC)	14	16	22	27	31	37	39	43
36 x 8 NA = 2.14	CFM	<b>642</b>	<b>856</b>	<b>1070</b>	<b>1284</b>	<b>1498</b>	<b>1712</b>	<b>1926</b>	<b>2140</b>
	THROW (Feet)	21-26-40	23-29-45	27-35-50	30-37-57	34-41-64	36-45-70	41-48-74	44-53-80
	NOISE CRITERIA (NC)	14	17	23	28	34	39	43	44
42 x 8 NA = 2.50	CFM	<b>750</b>	<b>1000</b>	<b>1250</b>	<b>1500</b>	<b>1750</b>	<b>2000</b>	<b>2250</b>	<b>2500</b>
	THROW (Feet)	24-30-44	27-35-50	30-39-56	33-42-64	37-44-70	40-51-76	45-54-80	48-58-85
	NOISE CRITERIA (NC)	15	18	24	29	36	42	44	46
48 x 8 NA = 2.85	CFM	<b>855</b>	<b>1140</b>	<b>1425</b>	<b>1710</b>	<b>1995</b>	<b>2280</b>	<b>2565</b>	<b>2850</b>
	THROW (Feet)	27-34-48	30-39-55	33-42-60	38-47-69	42-51-75	45-55-80	49-59-85	53-62-91
	NOISE CRITERIA (NC)	15	19	25	31	37	43	45	47
60 x 8 NA = 3.56	CFM	<b>1068</b>	<b>1424</b>	<b>1780</b>	<b>2136</b>	<b>2492</b>	<b>2848</b>	<b>3204</b>	<b>3560</b>
	THROW (Feet)	29-37-52	34-42-60	38-46-66	43-53-75	47-56-82	50-61-87	53-66-93	58-70-100
	NOISE CRITERIA (NC)	16	21	26	32	37	45	46	48

**NOTES:**

- 1- CFM IS AIR FLOW IN CUBIC FEET PER MINUTE.
- 2- NC IS NOISE CRITERIA BASED ON 10 db ROOM ABSORPTION (Re:10-12 WATTS.)
- 3- THROW DATA IS BASED ON ISOTHERMAL MIXED AIR AT 150, 100 & 50 FEET PER MINUTE TERMINAL VELOCITIES RESPECTIVELY.
- 4- NA IS NECK AREA IN SQUARE FEET.
- 5- NV IS NECK VELOCITY IN FEET PER MINUTE.

## HIGH THROW DRUM GRILLE

TABLE 3 - PERFORMANCE DATA

NOMINAL SIZE (IN.)	NECK VELOCITY (FT-MIN)	NC 20			NC 30			NC 40	
		300	400	500	600	700	800	900	1000
	VEL. PRESSURE (in. H <sub>2</sub> O)	0.0056	0.0097	0.0155	0.0224	0.0305	0.0399	0.0504	0.0623
	TOTAL PRESSURE (in. H <sub>2</sub> O)	<b>0.032</b>	<b>0.057</b>	<b>0.085</b>	<b>0.125</b>	<b>0.170</b>	<b>0.221</b>	<b>0.280</b>	<b>0.342</b>
	CFM	<b>348</b>	<b>464</b>	<b>580</b>	<b>696</b>	<b>812</b>	<b>928</b>	<b>1044</b>	<b>1160</b>
16x10 NA = 1.09	THROW (Feet)	16-25-30	23-26-39	26-30-44	28-34-46	30-36-49	33-40-57	34-42-60	37-45-63
	NOISE CRITERIA (NC)	11	14	19	24	30	36	40	41
	CFM	<b>435</b>	<b>580</b>	<b>725</b>	<b>870</b>	<b>1015</b>	<b>1160</b>	<b>1305</b>	<b>1450</b>
20x10 NA = 1.45	THROW (Feet)	18-27-35	24-28-42	27-32-47	30-36-50	32-39-53	35-43-62	36-45-64	40-48-67
	NOISE CRITERIA (NC)	12	15	21	26	32	37	41	42
	CFM	<b>543</b>	<b>724</b>	<b>905</b>	<b>1086</b>	<b>1267</b>	<b>1448</b>	<b>1629</b>	<b>1810</b>
25x10 NA = 1.81	THROW (Feet)	20-28-40	25-30-45	28-34-50	32-38-55	34-42-57	37-46-68	42-48-72	44-52-80
	NOISE CRITERIA (NC)	13	16	23	28	34	38	42	43
	CFM	<b>651</b>	<b>868</b>	<b>1085</b>	<b>1302</b>	<b>1519</b>	<b>1736</b>	<b>1953</b>	<b>2170</b>
30x10 NA = 2.17	THROW (Feet)	26-32-46	27-34-48	29-36-53	35-42-62	38-45-70	42-50-76	46-54-80	49-59-90
	NOISE CRITERIA (NC)	14	17	25	31	36	42	43	44
	CFM	<b>759</b>	<b>1012</b>	<b>1265</b>	<b>1518</b>	<b>1771</b>	<b>2024</b>	<b>2277</b>	<b>2530</b>
35x10 NA = 2.53	THROW (Feet)	28-34-50	29-35-55	33-42-60	37-45-71	41-50-80	45-54-89	49-59-94	54-64-102
	NOISE CRITERIA (NC)	15	18	25	32	37	43	44	45
	CFM	<b>867</b>	<b>1156</b>	<b>1445</b>	<b>1734</b>	<b>2023</b>	<b>2312</b>	<b>2601</b>	<b>2890</b>
40x10 NA = 2.89	THROW (Feet)	30-38-54	32-44-58	34-47-68	39-48-78	44-53-86	48-60-94	53-65-98	58-70-104
	NOISE CRITERIA (NC)	15	19	26	33	38	44	45	46
	CFM	<b>1080</b>	<b>1440</b>	<b>1800</b>	<b>2160</b>	<b>2520</b>	<b>2880</b>	<b>3240</b>	<b>3600</b>
50x10 NA = 3.60	THROW (Feet)	33-41-58	37-47-65	40-51-73	46-56-84	51-61-91	55-67-98	58-70-104	60-74-110
	NOISE CRITERIA (NC)	16	19	27	36	38	45	46	47
	CFM	<b>1296</b>	<b>1728</b>	<b>2160</b>	<b>2592</b>	<b>3024</b>	<b>3456</b>	<b>3888</b>	<b>4320</b>
60x10 NA = 4.32	THROW (Feet)	36-44-62	42-50-72	46-56-78	52-64-90	58-68-98	61-74-106	63-80-114	70-84-120
	NOISE CRITERIA (NC)	17	22	28	37	39	45	46	48

**NOTES:**

- 1- CFM IS AIR FLOW IN CUBIC FEET PER MINUTE.
- 2- NC IS NOISE CRITERIA BASED ON 10 db ROOM ABSORPTION (Re:10-12 WATTS.)
- 3- THROW DATA IS BASED ON ISOTHERMAL MIXED AIR AT 150, 100 & 50 FEET PER MINUTE TERMINAL VELOCITIES RESPECTIVELY.
- 4- NA IS NECK AREA IN SQUARE FEET.
- 5- NV IS NECK VELOCITY IN FEET PER MINUTE.

## HIGH THROW DRUM GRILLE

TABLE 4 - PERFORMANCE DATA

NOMINAL SIZE (IN.)	NECK VELOCITY (FT-MIN)	NC   20			NC   30			NC   40	
		300	400	500	600	700	800	900	1000
	VEL. PRESSURE (in. H <sub>2</sub> O)	0.0056	0.0097	0.0155	0.0224	0.0305	0.0399	0.0504	0.0623
	TOTAL PRESSURE (in. H <sub>2</sub> O)	<b>0.031</b>	<b>0.051</b>	<b>0.083</b>	<b>0.117</b>	<b>0.160</b>	<b>0.206</b>	<b>0.260</b>	<b>0.320</b>
20 x 12 NA = 1.74	CFM	<b>522</b>	<b>696</b>	<b>870</b>	<b>1044</b>	<b>1218</b>	<b>1392</b>	<b>1566</b>	<b>1740</b>
	THROW (Feet)	22-28-40	25-32-45	30-36-50	35-40-55	37-45-60	39-50-65	41-52-70	42-54-75
	NOISE CRITERIA (NC)	10	14	21	27	32	35	37	43
30 x 12 NA = 2.59	CFM	<b>777</b>	<b>1036</b>	<b>1295</b>	<b>1554</b>	<b>1813</b>	<b>2072</b>	<b>2331</b>	<b>2590</b>
	THROW (Feet)	26-35-49	31-40-55	37-45-63	40-49-68	43-53-73	47-58-79	49-61-84	52-64-89
	NOISE CRITERIA (NC)	13	16	23	28	34	37	39	45
40 x 12 NA = 3.45	CFM	<b>1035</b>	<b>1380</b>	<b>1725</b>	<b>2070</b>	<b>2415</b>	<b>2760</b>	<b>3105</b>	<b>3450</b>
	THROW (Feet)	30-42-58	37-48-66	44-54-76	45-58-80	50-62-86	55-66-92	58-70-98	62-74-104
	NOISE CRITERIA (NC)	14	18	24	29	36	39	43	46
50 x 12 NA = 4.30	CFM	<b>1290</b>	<b>1720</b>	<b>2150</b>	<b>2580</b>	<b>3010</b>	<b>3440</b>	<b>3870</b>	<b>4300</b>
	THROW (Feet)	36-48-66	42-54-74	48-61-85	50-66-92	57-70-99	63-74-105	65-80-112	70-84-119
	NOISE CRITERIA (NC)	15	19	26	32	38	40	45	48
60 x 12 NA = 5.16	CFM	<b>1548</b>	<b>2064</b>	<b>2580</b>	<b>3096</b>	<b>3612</b>	<b>4128</b>	<b>4644</b>	<b>5160</b>
	THROW (Feet)	42-54-74	47-60-82	52-68-94	55-74-104	64-76-112	68-82-118	72-90-126	78-94-134
	NOISE CRITERIA (NC)	17	21	26	33	39	45	48	50

**NOTES:**

- 1- CFM IS AIR FLOW IN CUBIC FEET PER MINUTE.
- 2- NC IS NOISE CRITERIA BASED ON 10 db ROOM ABSORPTION (Re:10-12 WATTS.)
- 3- THROW DATA IS BASED ON ISOTHERMAL MIXED AIR AT 150, 100 & 50 FEET PER MINUTE TERMINAL VELOCITIES RESPECTIVELY.
- 4- NA IS NECK AREA IN SQUARE FEET.
- 5- NV IS NECK VELOCITY IN FEET PER MINUTE.

## HIGH THROW DRUM GRILLE

TABLE 5 - PERFORMANCE DATA

NOMINAL SIZE (IN.)	NECK VELOCITY (FT-MIN)	NC 20				NC 30			
		300	400	500	600	700	800	900	1000
		VEL. PRESSURE (in. H <sub>2</sub> O)	0.0056	0.0097	0.0155	0.0224	0.0305	0.0399	0.0504
	TOTAL PRESSURE (in. H <sub>2</sub> O)	<b>0.026</b>	<b>0.043</b>	<b>0.068</b>	<b>0.100</b>	<b>0.134</b>	<b>0.176</b>	<b>0.220</b>	<b>0.271</b>
20 x 15 NA = 2.13	CFM	<b>639</b>	<b>851</b>	<b>1064</b>	<b>1277</b>	<b>1490</b>	<b>1703</b>	<b>1916</b>	<b>2129</b>
	THROW (Feet)	30-38-63	33-43-67	39-49-72	43-56-78	48-60-83	56-68-96	60-73-110	68-82-118
	NOISE CRITERIA (NC)	13	16	19	26	29	33	36	39
25 x 15 NA = 2.66	CFM	<b>798</b>	<b>1064</b>	<b>1330</b>	<b>1596</b>	<b>1862</b>	<b>2128</b>	<b>2394</b>	<b>2660</b>
	THROW (Feet)	33-43-67	39-50-70	43-56-78	50-62-84	56-67-95	60-73-110	67-80-116	72-85-122
	NOISE CRITERIA (NC)	14	17	19	27	30	34	37	44
30 x 15 NA = 3.19	CFM	<b>958</b>	<b>1277</b>	<b>1596</b>	<b>1916</b>	<b>2235</b>	<b>2554</b>	<b>2874</b>	<b>3192</b>
	THROW (Feet)	33-43-70	43-56-78	50-62-84	56-67-95	60-73-110	67-80-116	70-84-122	75-90-127
	NOISE CRITERIA (NC)	15	19	23	28	33	36	38	46
36 x 15 NA = 3.66	CFM	<b>1098</b>	<b>1464</b>	<b>1830</b>	<b>2196</b>	<b>2562</b>	<b>2928</b>	<b>3294</b>	<b>3660</b>
	THROW (Feet)	37-48-73	46-59-83	54-66-90	58-70-100	64-76-115	69-83-119	72-88-126	77-93-132
	NOISE CRITERIA (NC)	15	20	24	29	33	37	38	46
40 x 15 NA = 4.25	CFM	<b>1277</b>	<b>1703</b>	<b>2129</b>	<b>2554</b>	<b>2980</b>	<b>3406</b>	<b>3831</b>	<b>4257</b>
	THROW (Feet)	43-54-75	50-62-86	56-69-96	60-73-108	67-81-117	72-85-123	75-91-129	79-97-137
	NOISE CRITERIA (NC)	16	20	24	29	34	37	39	47
50 x 15 NA = 5.31	CFM	<b>1594</b>	<b>2125</b>	<b>2656</b>	<b>3188</b>	<b>3719</b>	<b>4250</b>	<b>4781</b>	<b>5313</b>
	THROW (Feet)	46-56-79	53-64-91	59-72-102	64-79-112	70-85-121	74-91-129	79-97-137	83-102-144
	NOISE CRITERIA (NC)	17	21	25	30	35	38	42	48
60 x 15 NA = 6.38	CFM	<b>1914</b>	<b>2552</b>	<b>3190</b>	<b>3828</b>	<b>4466</b>	<b>5104</b>	<b>5742</b>	<b>6380</b>
	THROW (Feet)	48-59-81	56-67-96	62-75-105	66-81-115	73-88-124	77-94-136	83-100-144	86-108-147
	NOISE CRITERIA (NC)	18	22	26	31	37	39	43	49
70 x 15 NA = 7.45	CFM	<b>2235</b>	<b>2980</b>	<b>3725</b>	<b>4470</b>	<b>5215</b>	<b>5960</b>	<b>6705</b>	<b>7450</b>
	THROW (Feet)	50-65-84	58-70-100	64-77-108	68-83-118	75-90-128	79-97-139	85-104-148	88-110-152
	NOISE CRITERIA (NC)	19	23	27	32	41	42	45	51

NC 140

**NOTES:**

- 1- CFM IS AIR FLOW IN CUBIC FEET PER MINUTE.
- 2- NC IS NOISE CRITERIA BASED ON 10 db ROOM ABSORPTION (Re:10-12 WATTS.)
- 3- THROW DATA IS BASED ON ISOTHERMAL MIXED AIR AT 150, 100 & 50 FEET PER MINUTE TERMINAL VELOCITIES RESPECTIVELY.
- 4- NA IS NECK AREA IN SQUARE FEET.
- 5- NV IS NECK VELOCITY IN FEET PER MINUTE.

## HIGH THROW DRUM GRILLE

TABLE 5 (cont.) - PERFORMANCE DATA

SIZE (IN)	NECK VELOCITY (FT-MIN)	300	400	500	600	700	800	900	1000
60 x 15 NA = 6.38	CFM	1914	2552	3190	3828	4466	5104	5742	6380
	THROW (Feet)	48-59-81	56-67-96	62-75-105	66-81-115	73-88-124	77-94-136	83-100-144	86-108-147
	NOISE CRITERIA (NC)	18	22	26	31	37	39	43	49
SIZE (IN)	NECK VELOCITY (FT-MIN)	1100	1200	1300	1400	1500	1600	1700	1800
60 x 15 NA = 6.38	CFM	7033	7673	8312	8952	9591	10230	10870	11509
	THROW (Feet)	90-115-155	95-121-164	100-128-174	105-135-183	111-142-192	116-149-201	121-156-211	127-162-220
	NOISE CRITERIA (NC)	52	54	57	59	61	64	66	68
SIZE (IN)	NECK VELOCITY (FT-MIN)	1900	2000						
60 x 15 NA = 6.38	CFM	12149	12788						
	THROW (Feet)	132-169-229	137-176-238						
	NOISE CRITERIA (NC)	71	73						

**NOTES:**

- 1- **CFM** IS AIR FLOW IN CUBIC FEET PER MINUTE.
- 2- **NC** IS NOISE CRITERIA BASED ON 10 db ROOM ABSORPTION (Re:10-12 WATTS.)
- 3- **THROW** DATA IS BASED ON ISOTHERMAL MIXED AIR AT 150, 100 & 50 FEET PER MINUTE TERMINAL VELOCITIES RESPECTIVELY.
- 4- **NA** IS NECK AREA IN SQUARE FEET.
- 5- **NV** IS NECK VELOCITY IN FEET PER MINUTE.