

RTAA D MODEL

EXTRUDED ALUMINUM DOUBLE DEFLECTION DRUM LOUVER



- For any type of area where it is impractical to have air ducts near the occupants and in where it is required to manage big volumes of air and long range throws.
- The scope and the vertical or horizontal direction of the throw can be adjusted through the rotary motion of the drum and pivoted blades
- Drum can rotate approximately 30° up or down the center line allowing an angular adjustment of the air stream of almost 60° (there may be variations)
- Grilles can be installed either horizontal or vertical position, providing unlimited application opportunities without location restrictions.
- One of the most affordable grilles to install in comparison with the majority of other type of air outlets, based on required grille sections of small air ducts.

CONSTRUCTION: Extruded aluminum.

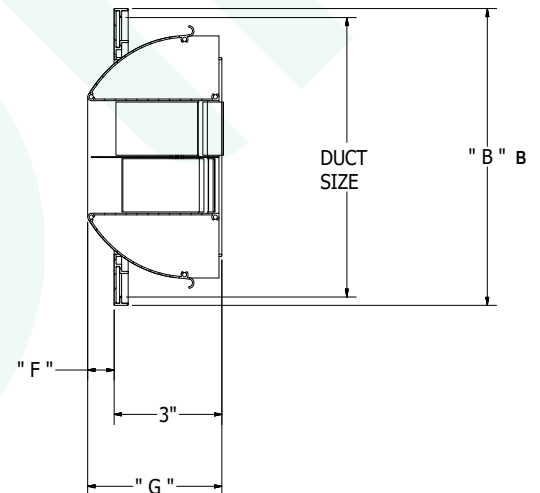
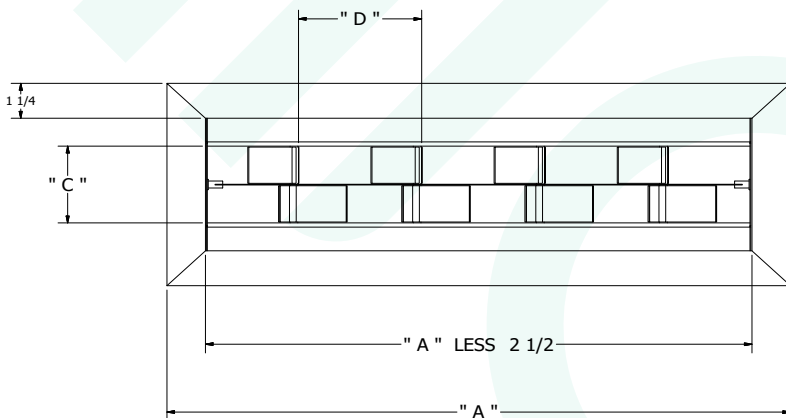
FINISH:

Standard white Anodic acrylic paint.
Other colors available.

VOLUMEN CONTROL:

Can be shipped with volumen control of opposite blades (CO model), optional; The use of volume control, turns impractical when discharge velocity cause static pressures over .25" of water column.

Dimensional Data



RTAA MODEL NOMINAL MEASURE

	SELECTED SIZE (INCHES)	MEASURE IN INCHES`							
		DUCT SIZE	A	B	C	D	E N° de Aletas	F	G
RTAA - 8	18 x 8	18-5/16 x 8-1/2	20-1/4	10 -1/4	4-1/4	3	5	1	4
	24 x 8	24-5/16 x 8-1/2	26-1/4	10 -1/4	4-1/4	3	7	1	4
	30 x 8	30-5/16 x 8-1/2	32-1/4	10 -1/4	4-1/4	3	9	1	4
	36 x 8	36-5/16 x 8-1/2	38-1/4	10 -1/4	4-1/4	3	11	1	4
	42 x 8	42-5/16 x 8-1/2	44-1/4	10 -1/4	4-1/4	3	13	1	4
	48 x 8	48-5/16 x 8-1/2	50-1/4	10 -1/4	4-1/4	3	15	1	4
	60 x 8	60-5/16 x 8-1/2	62-1/4	10 -1/4	4-1/4	3	19	1	4
RTAA - 10	20 x 10	20-3/8 x 10-1/2	22-5/16	11-3/4	5-1/2	5	3	2-1/4	5-1/4
	25 x 10	25-3/8 x 10-1/2	27-5/16	11-3/4	5-1/2	5	4	2-1/4	5-1/4
	30 x 10	30-3/8 x 10-1/2	32-5/16	11-3/4	5-1/2	5	5	2-1/4	5-1/4
	35 x 10	35-3/8 x 10-1/2	37-5/16	11-3/4	5-1/2	5	6	2-1/4	5-1/4
	40 x 10	40-3/8 x 10-1/2	42-5/16	11-3/4	5-1/2	5	7	2-1/4	5-1/4
	50 x 10	50-3/8 x 10-1/2	52-5/16	11-3/4	5-1/2	5	9	2-1/4	5-1/4
	60 x 10	60-3/8 x 10-1/2	62-5/16	11-3/4	5-1/2	5	11	2-1/4	5-1/4
RTAA - 12	20 x 12	20-5/16x12-1/2	22-1/2	13 -3/16	7	5	4	2-5/16	5-1/4
	30 x 12	30-5/16x12-1/2	32-1/2	14 -3/16	7	5	5	2-5/16	5-1/4
	40 x 12	40-5/16x12-1/2	42-1/2	14 -3/16	7	5	7	2-5/16	5-1/4
	50 x 12	50-5/16x12-1/2	52-1/2	14 -3/16	7	5	9	2-5/16	5-1/4
	60 x 12	60-5/16x12-1/2	62-1/2	14 -3/16	7	5	11	2-5/16	5-1/4
RTAA - 15	20 x 15	20-5/16x14-1/2	22-1/2	16-3/8	9-3/4	5	3	2-1/2	5-1/4
	25 x 15	25-5/16x14-1/2	27-1/2	16-3/8	9-3/4	5	4	2-1/2	5-1/4
	30 x 15	30-5/16x14-1/2	32-1/2	16-3/8	9-3/4	5	5	2-1/2	5-1/4
	36x15	36-5/16x14-1/2	38-1/2	16-3/8	9-3/4	5	6	2-1/2	5-1/4
	40 x 15	40-5/16x14-1/2	42-1/2	16-3/8	9-3/4	5	7	2-1/2	5-1/4
	50 x 15	50-5/16x14-1/2	52-1/2	16-3/8	9-3/4	5	9	2-1/2	5-1/4
	60 x 15	60-5/16x14-1/2	62-1/2	16-3/8	9-3/4	5	11	2-1/2	5-1/4
	70 x 15	70-5/16x14-1/2	74-1/4	16-3/8	9-3/4	5	13	2-1/2	5-1/4

IMPORTANT: Grilles are only manufactured in the vertical measurements indicated (6, 8, 10, 12 and 15) the horizontal measurements can vary.

**** NOTE:** Due to our policy of continuous improvement and updating of our products, NAMM reserves the right to make the necessary changes when deemed appropriate.

RTAA-8 MODEL

DRUM LOUVER FACE DIFFUSER

TABLE 2 PERFORMANCE DATA

NOMINAL SIZE (IN.)	Vc/ NECK VELOCITY-Nv VEL. PRESSURE (in. H ₂ O) TOTAL PRESSURE (in.H ₂ O)	NC 20				NC 30			
		300	400	500	600	700	800	900	1000
		0.0056	0.0097	0.0155	0.0224	0.0305	0.0399	0.0504	0.0623
	0.040	0.070	0.107	0.155	0.210	0.230	0.346	0.4.26	
18 x 8 NA =1.08	CFM	324	432	540	648	756	864	972	1080
	THROW (Feet)	12-16-25	15-20-31	18-23-35	21-26-38	23-28-42	25-32-47	26-34-49	30-37-51
	NOISE CRITERIA (NC)	-	13	17	22	28	33	36	38
24 x 8 NA = 1.44	CFM	432	576	720	864	1008	1152	1296	1440
	THROW (Feet)	14-19-28	17-23-35	20-26-40	23-29-44	26-33-47	28-36-53	32-38-56	34-42-61
	NOISE CRITERIA (NC)	13	15	20	25	29	34	37	42
30 x 8 NA=1.79	CFM	537	716	895	1074	1253	1432	1611	1790
	THROW (Feet)	18-23-35	20-26-39	23-31-43	26-34-50	30-37-56	34-40-60	37-44-63	40-47-70
	NOISE CRITERIA (NC)	14	16	22	27	31	37	39	43
36 x 8 NA=2.14	CFM	642	856	1070	1284	1498	1712	1926	2140
	THROW (Feet)	21-26-40	23-29-45	27-35-50	30-37-57	34-41-64	36-45-70	41-48-74	44-53-80
	NOISE CRITERIA (NC)	14	17	23	28	34	39	43	44
42 x 8 NA=2.50	CFM	750	1000	1250	1500	1750	2000	2250	2500
	THROW (Feet)	24-30-44	27-35-50	30-39-56	33-42-64	37-44-70	40-51-76	45-54-80	48-58-85
	NOISE CRITERIA (NC)	15	18	24	29	36	42	44	46
48 x 8 NA=2.85	CFM	855	1140	1425	1710	1995	2280	2565	2850
	THROW (Feet)	27-34-48	30-39-55	33-42-60	38-47-69	42-51-75	45-55-80	49-59-85	53-62-91
	NOISE CRITERIA (NC)	15	19	25	31	37	43	45	47
60 x 8 NA=3.56	CFM	1068	1424	1780	2136	2492	2848	3204	3560
	THROW (Feet)	29-37-52	34-42-60	38-46-66	43-53-75	47-56-82	50-61-87	53-66-93	58-70-100
	NOISE CRITERIA (NC)	16	21	26	32	37	45	46	48

NOTES:

- 1- **CFM** IS AIR FLOW IN CUBIC FEET PER MINUTE.
- 2- **NC** IS NOISE CRITERIA BASED ON 10 db ROOM ABSORPTION (Re:10-12 WATTS.)
- 3- **THROW** DATA IS BASED ON ISOTHERMAL MIXED AIR AT 150, 100 & 50 FEET PER MINUTE TERMINAL VELOCITIES RESPECTIVELY.
- 4- **NA** IS NECK AREA IN SQUARE FEET.
- 5- **NV** IS NECK VELOCITY IN FEET PER MINUTE.

RTAA-10 MODEL

DRUM LOUVER FACE DIFFUSER

TABLE 3 PERFORMANCE DATA

NOMINAL SIZE (IN.)	Vc/ NECK VELOCITY-Nv	NC 20		NC 30		NC 40		900	1000
		300	400	500	600	700	800		
	VEL. PRESSURE (in. H ₂ O)	0.0056	0.0097	0.0155	0.0224	0.0305	0.0399	0.0504	0.0623
	TOTAL PRESSURE (in.H ₂ O)	0.032	0.057	0.085	0.125	0.170	0.221	0.280	0.342
16x10 NA=1.09	CFM	348	464	580	696	812	928	1044	1160
	THROW (Feet)	16-25-30	23-26-39	26-30-44	28-34-46	30-36-49	33-40-57	34-42-60	37-45-63
	NOISE CRITERIA (NC)	11	14	19	24	30	36	40	41
20x10 NA=1.45	CFM	435	580	725	870	1015	1160	1305	1450
	THROW (Feet)	18-27-35	24-28-42	27-32-47	30-36-50	32-39-53	35-43-62	36-45-64	40-48-67
	NOISE CRITERIA (NC)	12	15	21	26	32	37	41	42
25x10 NA=1.81	CFM	543	724	905	1086	1267	1448	1629	1810
	THROW (Feet)	20-28-40	25-30-45	28-34-50	32-38-55	34-42-57	37-46-68	42-48-72	44-52-80
	NOISE CRITERIA (NC)	13	16	23	28	34	38	42	43
30x10 NA=2.17	CFM	651	868	1085	1302	1519	1736	1953	2170
	THROW (Feet)	26-32-46	27-34-48	29-36-53	35-42-62	38-45-70	42-50-76	46-54-80	49-59-90
	NOISE CRITERIA (NC)	14	17	25	31	36	42	43	44
35x10 NA=2.53	CFM	759	1012	1265	1518	1771	2024	2277	2530
	THROW (Feet)	28-34-50	29-35-55	33-42-60	37-45-71	41-50-80	45-54-89	49-59-94	54-64-102
	NOISE CRITERIA (NC)	15	18	25	32	37	43	44	45
40x10 NA=2.89	CFM	867	1156	1445	1734	2023	2312	2601	2890
	THROW (Feet)	30-38-54	32-44-58	34-47-68	39-48-78	44-53-86	48-60-94	53-65-98	58-70-104
	NOISE CRITERIA (NC)	15	19	26	33	38	44	45	46
50x10 NA=3.60	CFM	1080	1440	1800	2160	2520	2880	3240	3600
	THROW (Feet)	33-41-58	37-47-65	40-51-73	46-56-84	51-61-91	55-67-98	58-70-104	60-74-110
	NOISE CRITERIA (NC)	16	19	27	36	38	45	46	47
60x10 NA=4.32	CFM	1296	1728	2160	2592	3024	3456	3888	4320
	THROW (Feet)	36-44-62	42-50-72	46-56-78	52-64-90	58-68-98	61-74-106	63-80-114	70-84-120
	NOISE CRITERIA (NC)	17	22	28	37	39	45	46	48

NOTES:

- 1- CFM IS AIR FLOW IN CUBIC FEET PER MINUTE.
- 2- NC IS NOISE CRITERIA BASED ON 10 db ROOM ABSORPTION (Re:10-12 WATTS.)
- 3- THROW DATA IS BASED ON ISOTHERMAL MIXED AIR AT 150, 100 & 50 FEET PER MINUTE TERMINAL VELOCITIES RESPECTIVELY.
- 4- NA IS NECK AREA IN SQUARE FEET.
- 5- NV IS NECK VELOCITY IN FEET PER MINUTE.

RTAA-12 MODEL

DRUM LOUVER FACE DIFFUSER

TABLE 4 PERFORMANCE DATA

NOMINAL SIZE (IN.)	Vc/ NECK VELOCITY-Nv	NC 20			NC 30			NC 40	
		300	400	500	600	700	800	900	1000
20 x 12 NA= 1.74	VEL. PRESSURE (in. H ₂ O)	0.0056	0.0097	0.0155	0.0224	0.0305	0.0399	0.0504	0.0623
	TOTAL PRESSURE (in.H ₂ O)	0.031	0.051	0.083	0.117	0.160	0.206	0.260	0.320
	CFM	522	696	870	1044	1218	1392	1566	1740
30 x 12 NA= 2.59	THROW (Feet)	22-28-40	25-32-45	30-36-50	35-40-55	37-45-60	39-50-65	41-52-70	42-54-75
	NOISE CRITERIA (NC)	10	14	21	27	32	35	37	43
	CFM	777	1036	1295	1554	1813	2072	2331	2590
40 x 12 NA= 3.45	THROW (Feet)	26-35-49	31-40-55	37-45-63	40-49-68	43-53-73	47-58-79	49-61-84	52-64-89
	NOISE CRITERIA (NC)	13	16	23	28	34	37	39	45
	CFM	1035	1380	1725	2070	2415	2760	3105	3450
50 x 12 NA= 4.30	THROW (Feet)	30-42-58	37-48-66	44-54-76	45-58-80	50-62-86	55-66-92	58-70-98	62-74-104
	NOISE CRITERIA (NC)	14	18	24	29	36	39	43	46
	CFM	1290	1720	2150	2580	3010	3440	3870	4300
60 x 12 NA= 5.16	THROW (Feet)	36-48-66	42-54-74	48-61-85	50-66-92	57-70-99	63-74-105	65-80-112	70-84-119
	NOISE CRITERIA (NC)	15	19	26	32	38	40	45	48
	CFM	1548	2064	2580	3096	3612	4128	4644	5160
60 x 12 NA= 5.16	THROW (Feet)	42-54-74	47-60-82	52-68-94	55-74-104	64-76-112	68-82-118	72-90-126	78-94-134
	NOISE CRITERIA (NC)	17	21	26	33	39	45	48	50

NOTES:

- 1- CFM IS AIR FLOW IN CUBIC FEET PER MINUTE.
- 2- NC IS NOISE CRITERIA BASED ON 10 db ROOM ABSORPTION (Re:10-12 WATTS.)
- 3- THROW DATA IS BASED ON ISOTHERMAL MIXED AIR AT 150, 100 & 50 FEET PER MINUTE TERMINAL VELOCITIES RESPECTIVELY.
- 4- NA IS NECK AREA IN SQUARE FEET.
- 5- NV IS NECK VELOCITY IN FEET PER MINUTE.

DRUM LOUVER FACE DIFFUSER TABLE 5 PERFORMANCE DATA

NOMINAL SIZE (IN.)	Vc/ NECK VELOCITY-Nv	NC 20			NC 30				
		300	400	500	600	700	800	900	1000
	VEL. PRESSURE (in. H ₂ O)	0.0056	0.0097	0.0155	0.0224	0.0305	0.0399	0.0504	0.0623
	TOTAL PRESSURE (in.H ₂ O)	0.026	0.043	0.068	0.100	0.134	0.176	0.220	0.271
20 x 15 NA= 2.13	CFM	639	851	1064	1277	1490	1703	1916	2129
	THROW (Feet)	30-38-63	33-43-67	39-49-72	43-56-78	48-60-83	56-68-96	60-73-110	68-82-1
	NOISE CRITERIA (NC)	13	16	19	26	29	33	36	39
25 x 15 NA= 2.66	CFM	798	1064	1330	1596	1862	2128	2394	2660
	THROW (Feet)	33-43-67	39-50-70	43-56-78	50-62-84	56-67-95	60-73-110	67-80-116	72-85-122
	NOISE CRITERIA (NC)	14	17	19	27	30	34	37	44
30 x 15 NA= 3.19	CFM	958	1277	1596	1916	2235	2554	2874	3192
	THROW (Feet)	33-43-70	43-56-78	50-62-84	56-67-95	60-73-110	67-80-116	70-84-122	75-90-127
	NOISE CRITERIA (NC)	15	19	23	28	33	36	38	46
36 x 15 NA= 3.66	CFM	1098	1464	1830	2196	2562	2928	3294	3660
	THROW (Feet)	37-48-73	46-59-83	54-66-90	58-70-100	64-76-115	69-83-119	72-88-126	77-93-132
	NOISE CRITERIA (NC)	15	20	24	29	33	37	38	46
40 x 15 NA= 4.25	CFM	1277	1703	2129	2554	2980	3406	3831	4257
	THROW (Feet)	43-54-75	50-62-86	56-69-96	60-73-108	67-81-117	72-85-123	75-91-129	79-97-137
	NOISE CRITERIA (NC)	16	20	24	29	34	37	39	47
50 x 15 NA= 5.31	CFM	1594	2125	2656	3188	3719	4250	4781	5313
	THROW (Feet)	46-56-79	53-64-91	59-72-102	64-79-112	70-85-121	74-91-129	79-97-137	83-102-144
	NOISE CRITERIA (NC)	17	21	25	30	35	38	42	48
60 x 15 NA= 6.38	CFM	1914	2552	3190	3828	4466	5104	5742	6380
	THROW (Feet)	48-59-81	56-67-96	62-75-105	66-81-115	73-88-124	77-94-136	83-100-144	86-108-147
	NOISE CRITERIA (NC)	18	22	26	31	37	39	43	49
70 x 15 NA= 7.45	CFM	2235	2980	3725	4470	5215	5960	6705	7450
	THROW (Feet)	50-65-84	58-70-100	64-77-108	68-83-118	75-90-128	79-97-139	85-104-148	88-1
	NOISE CRITERIA (NC)	19	23	27	32	41	42	45	51

NOTES:

- 1- **CFM** IS AIR FLOW IN CUBIC FEET PER MINUTE.
- 2- **NC** IS NOISE CRITERIA BASED ON 10 db ROOM ABSORPTION (Re:10-12 WATTS.)
- 3- **THROW** DATA IS BASED ON ISOTHERMAL MIXED AIR AT **150, 100 & 50** FEET PER MINUTE TERMINAL VELOCITIES RESPECTIVELY.
- 4- **NA** IS NECK AREA IN SQUARE FEET.
- 5- **NV** IS NECK VELOCITY IN FEET PER MINUTE.