

# MPI MODEL

## INTERIOR BIRD SCREEN

- Cover Imperfection of Louver Installation On Wall
- Hidden installation at industrial Louver
- The double seal prevents water flowing down the wall and seep inside of warehouse.
- SHIPPING: Measurements greater than 36 "x 36" are shipped disassembled to be assembled on site.

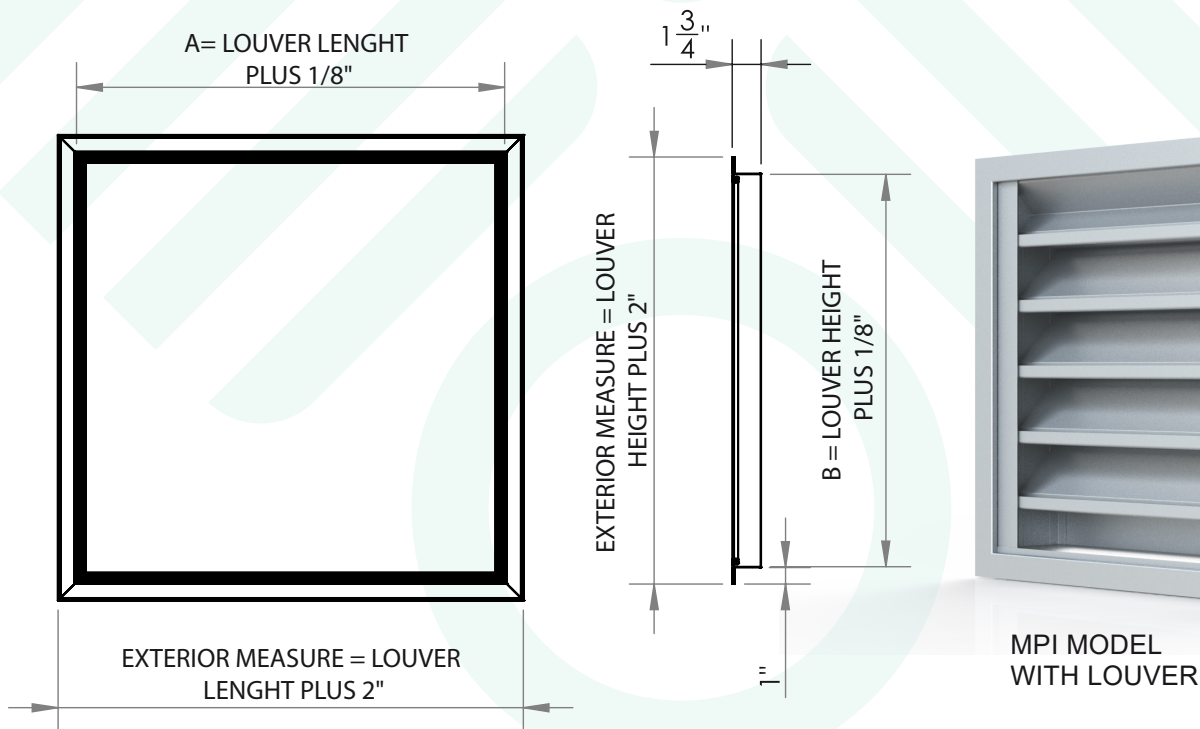
MPI MODEL



**CONSTRUCTION:**  
Extruded aluminum.

**FINISH:**  
Anodized aluminum or standard white Anodic acrylic paint. Other colors available.

## Dimensional Data



# MPI MODEL STANDARD SPECIFICATION

# MPI MODEL

**FRAME:** MADE OF ALUMINUM ALLOY 6063-T5

**MOUNTING:** #45 ALUMINUM RIVET

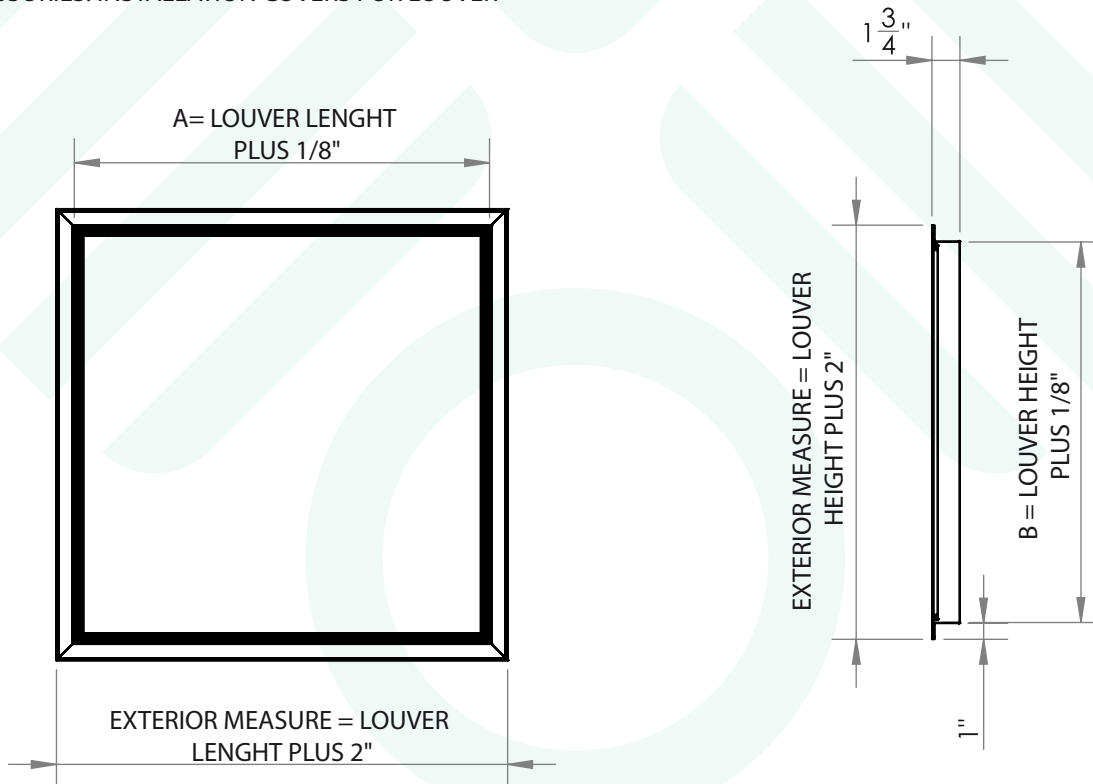
**MAXIMUM PANEL:** "A" "B"  
36" X 36"

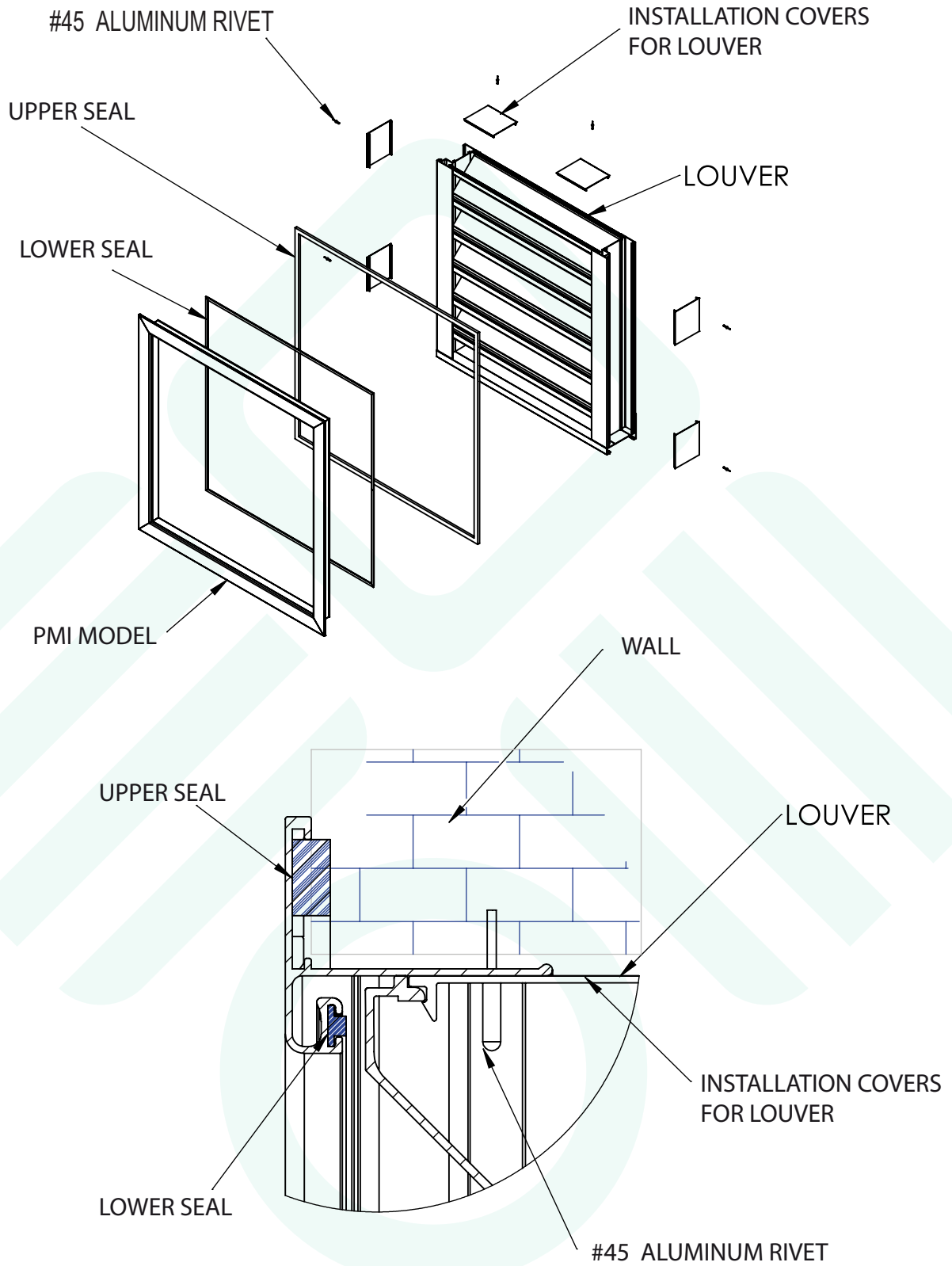
**MINIMUM PANEL:** "A" "B"  
12" X 12"

**CONSTRUCTION MEASUREMENTS :** A = LENGHT, B = HEIGHT  
LOUVER MEASURE.  
MPI MODEL SIZES ARE THE LOUVER  
MEASURE PLUS 1/8"

\* MEASUREMENTS GREATER THAN 36 "X 36" ARE SHIPPED DISASSEMBLED  
TO BE ASSEMBLED ON SITE

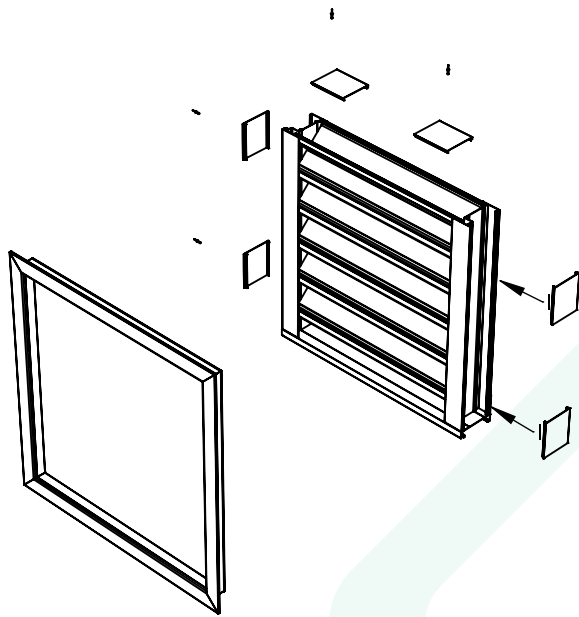
ACCESSORIES: INSTALLATION COVERS FOR LOUVER





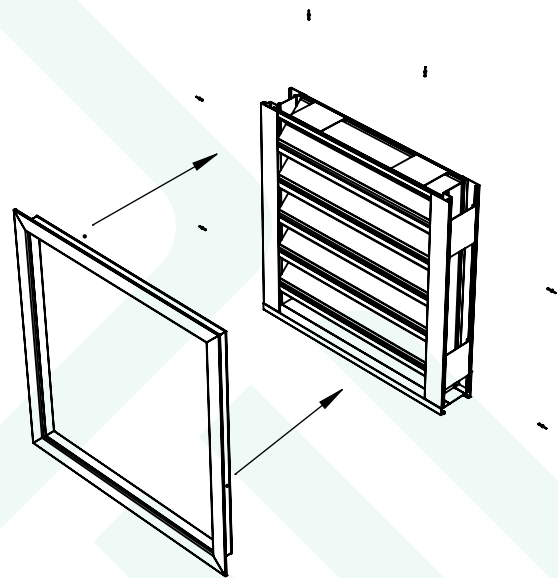
# MPI MODEL INSTALLATION

# MPI MODEL



STEP 1 MOUNT THE INSTALLATION LOUVER  
COVERS SNAPING WITH THE LOUVER  
JAMBA

STEP 2 MOUNT THE MPI MODEL UNTIL IT  
SEAL WITH THE LOUVER



STEP 3 MAKE A 9/64" HOLE TO MOUNT MPI MODEL  
WITH THE LOUVER. AFTER FIXING WITH THE  
#45 ALUMINUM RIVETS

STEP 4 LOUVER READY TO BE INSTALLED

