

MPI MODEL

INDUSTRIAL PERIMETAL FRAME

- Cover Imperfection of Louver Installation On Wall
- Hidden installation at industrial Louver
- The double seal prevents water flowing down the wall and seep inside of warehouse.
- SHIPPING: Measurements greater than 36 "x 36" are shipped disassembled to be assembled on site.

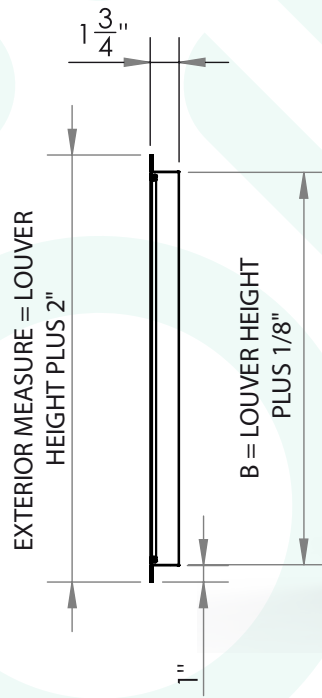
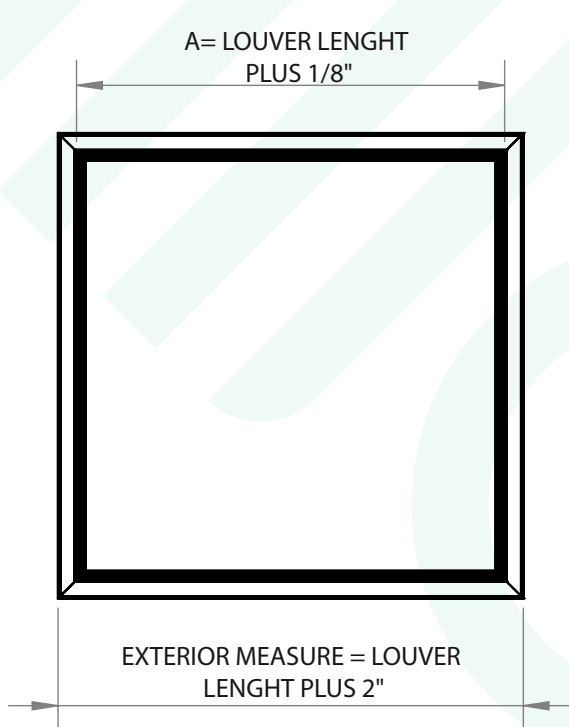
MPI MODEL



CONSTRUCTION:
Extruded aluminum.

FINISH:
Anodized aluminum or standard white Anodic acrylic paint. Other colors available.

Dimensional Data



MPI MODEL WITH LOUVER

MPI MODEL STANDARD SPECIFICATION

MPI MODEL

FRAME: MADE OF ALUMINUM ALLOY 6063-T5

MOUNTING: #45 ALUMINUM RIVET

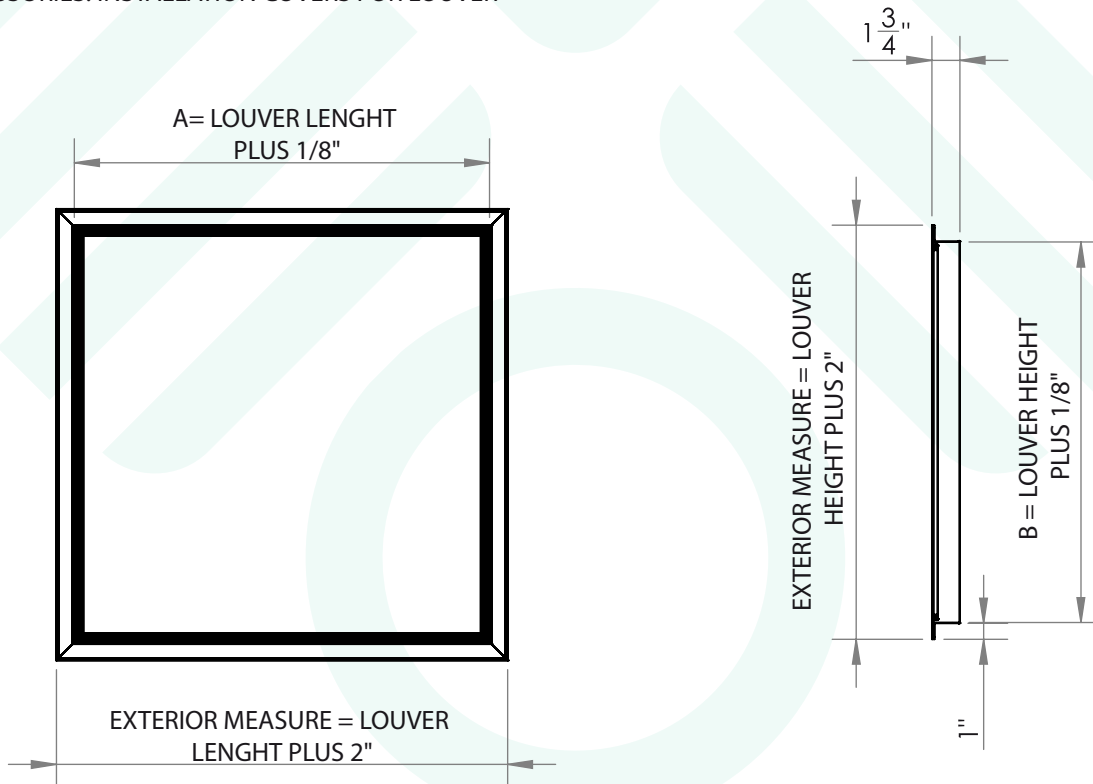
MAXIMUM PANEL: "A" "B"
36" X 36"

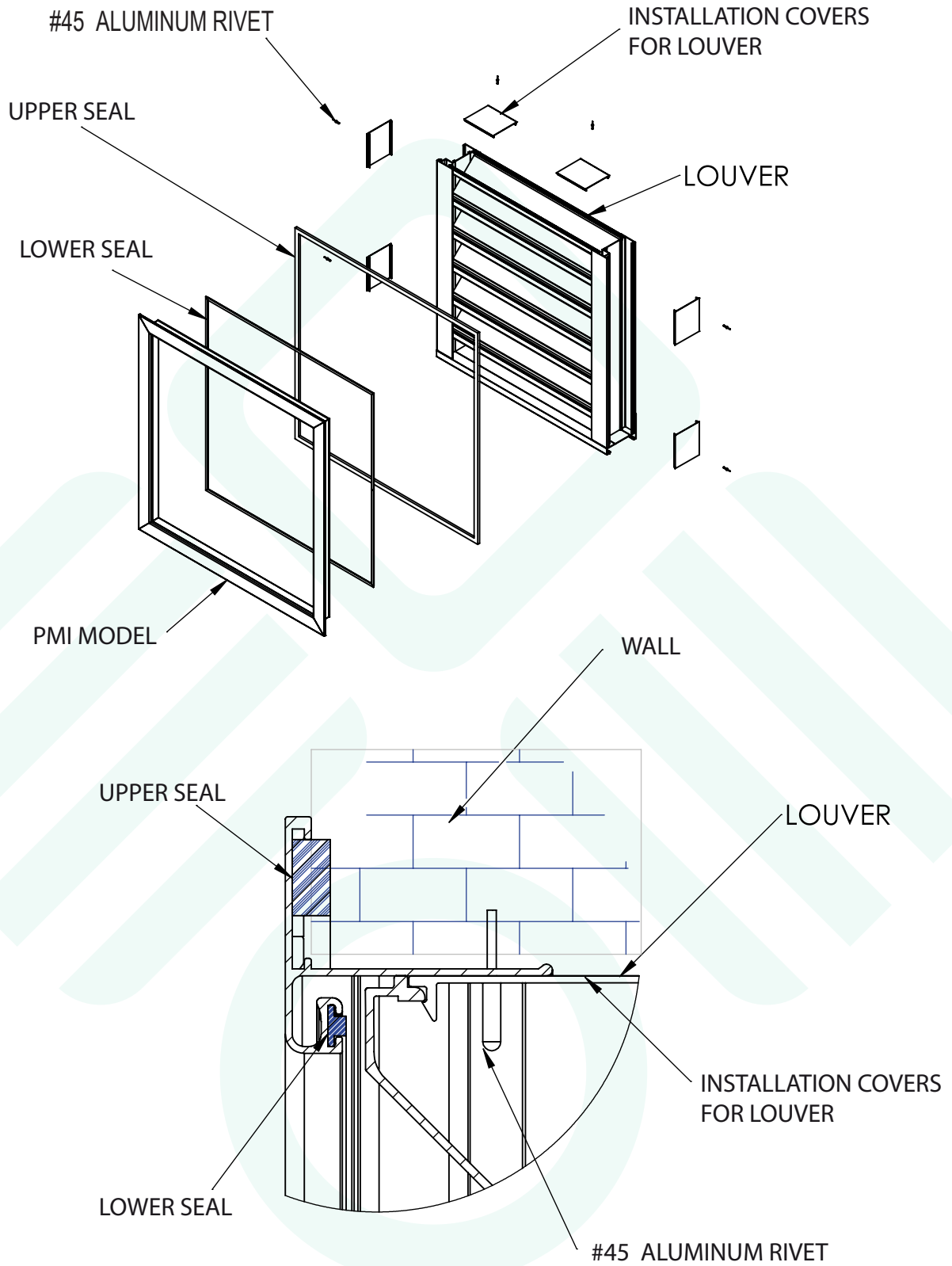
MINIMUM PANEL: "A" "B"
12" X 12"

CONSTRUCTION MEASUREMENTS : A = LENGHT, B = HEIGHT
LOUVER MEASURE.
MPI MODEL SIZES ARE THE LOUVER
MEASURE PLUS 1/8"

* MEASUREMENTS GREATER THAN 36 "X 36" ARE SHIPPED DISASSEMBLED
TO BE ASSEMBLED ON SITE

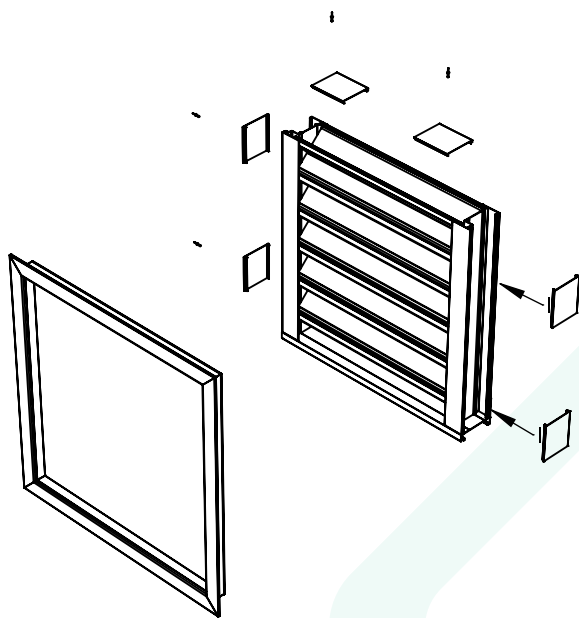
ACCESSORIES: INSTALLATION COVERS FOR LOUVER





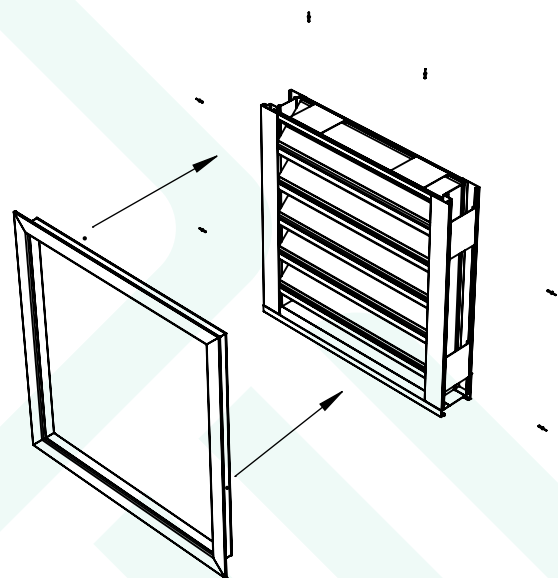
MPI MODEL INSTALLATION

MPI MODEL



STEP 1 MOUNT THE INSTALLATION LOUVER
COVERS SNAPING WITH THE LOUVER
JAMBA

STEP 2 MOUNT THE MPI MODEL UNTIL IT
SEAL WITH THE LOUVER



STEP 3 MAKE A 9/64" HOLE TO MOUNT MPI MODEL
WITH THE LOUVER. AFTER FIXING WITH THE
#45 ALUMINUM RIVETS

STEP 4 LOUVER READY TO BE INSTALLED

