

HL636DA MODEL

EXTRUDED ALUMINUM
STATIONARY LOUVER 6" FRAME,
36.5° ADJUSTABLE DRAINABLE
BLADES, AND 4" SPACING
OPERATED BY A LEVER

- Provide at least 63% of free area.
- Rainwater is drained by the blades from top to bottom from the louver, through the vertical channels, discharging it out through the lower horizontal channel.
- With highest water removal from the air stream, drainable louvers have higher air handling capacity than non-drainable louvers, under rainy conditions.



63%
FREE AREA

CONSTRUCTION: Extruded aluminum

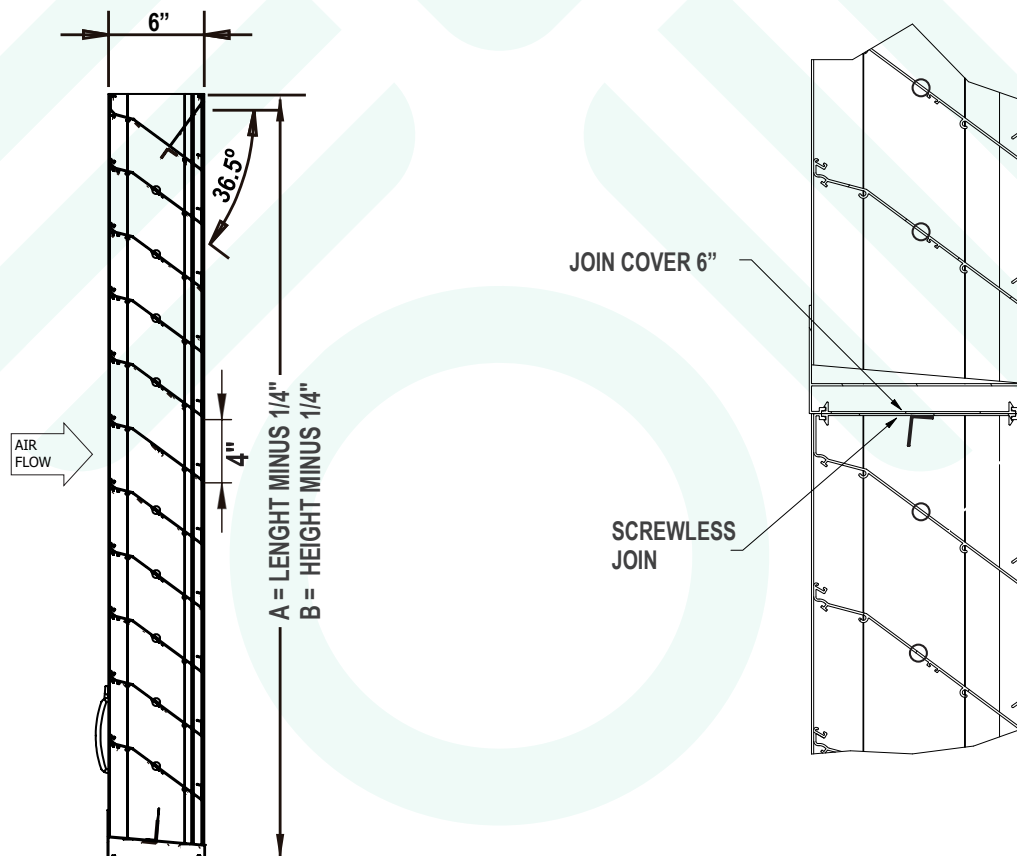
FINISH: Anodized finish standard.

Standard white Anodic acrylic paint. Other colors available.

PERFORMANCE: Maximum free area velocity recommended is 1250 feet / min. with a pressure drop 0.06 in. of water column.
- [Data based on a louver of 48" x 48"]

ACCESSORIES: Optionally they can be supplied with mosquito net or bird mesh, as additional protection, which prevents the entry of insects and / or birds. Also, optional, can be supplied with a filter holder frame.

Dimensional Data



HL636DA MODEL

INDUSTRIAL LOUVERS

STANDARD SPECIFICATION

HL = HORIZONTAL LOUVER

6= 6" FRAME

36= 36.5°

DA= DRAINABLE & ADJUSTABLE BLADES

- FRAME:** 6" depth with drain channel.
Extruded aluminum profiles
- LOUVERS:** 7" (width) made of extruded aluminum profiles
4" of separation
- BUSHING:** Nylon bushing
- PIVOTS:** 3/8" diameter zamak shaft
- MOUNTING:** Galvanneal screw
- MAXIMUM PANEL:** "A" "B"
60" X 72"
- MINIMUM PANEL:** "A" "B"
12" X 12"
- DIMENSIONS:** "A" (LENGTH) "B" (HEIGHT)
Son medidas de la cavidad, los louvers
son fabricados con 1/4 menos de tolerancia.



*Panels up to 72 " length in depth will be 8" due to angle support for louvers.

* Panels over 72 " Width will be supplied in sections to join cap.

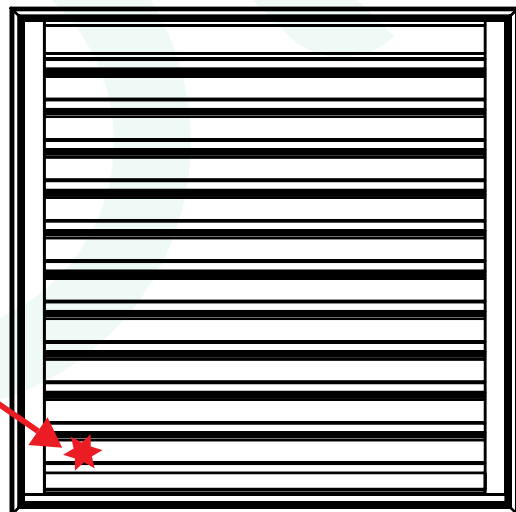
* Panels over 72 " Height will be supplied in sections to join cap.

ACCESSORIES: Optionally they can be supplied with mosquito net or bird mesh, as additional protection, which prevents the entry of insects and / or birds, washable air filter.

NAMM AUTHENTICITY SEAL

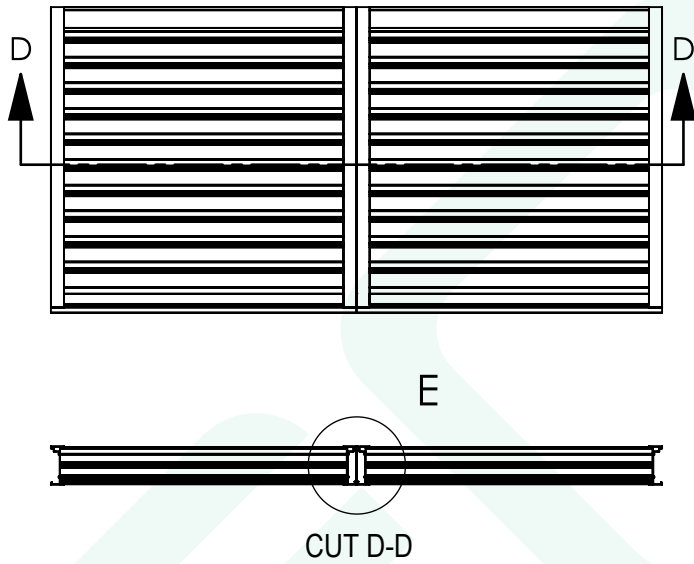


- NAMM brand symbol (N)
- * High relief engraving
- * Certify that the product you buy
It is original
- * Guarantee the benefits proven by
international laboratories
- * Located on the last flap following the base

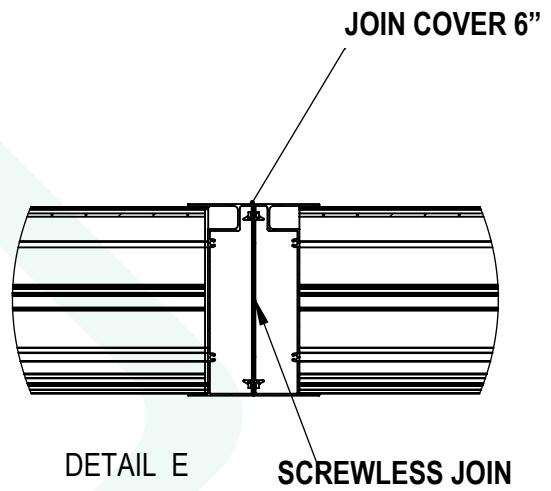


INDUSTRIAL LOUVERS

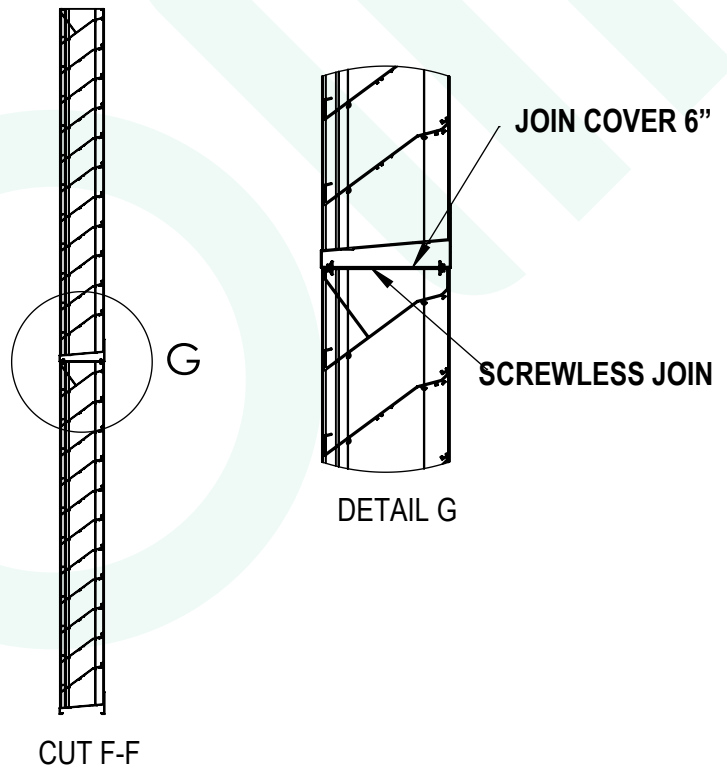
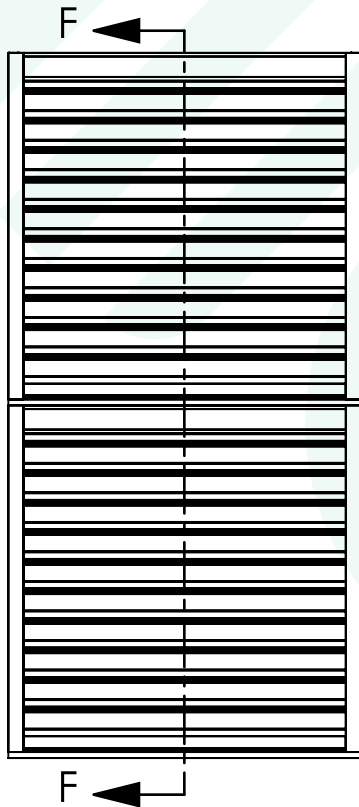
HORIZONTAL ASSEMBLY



MODULES ASSEMBLY

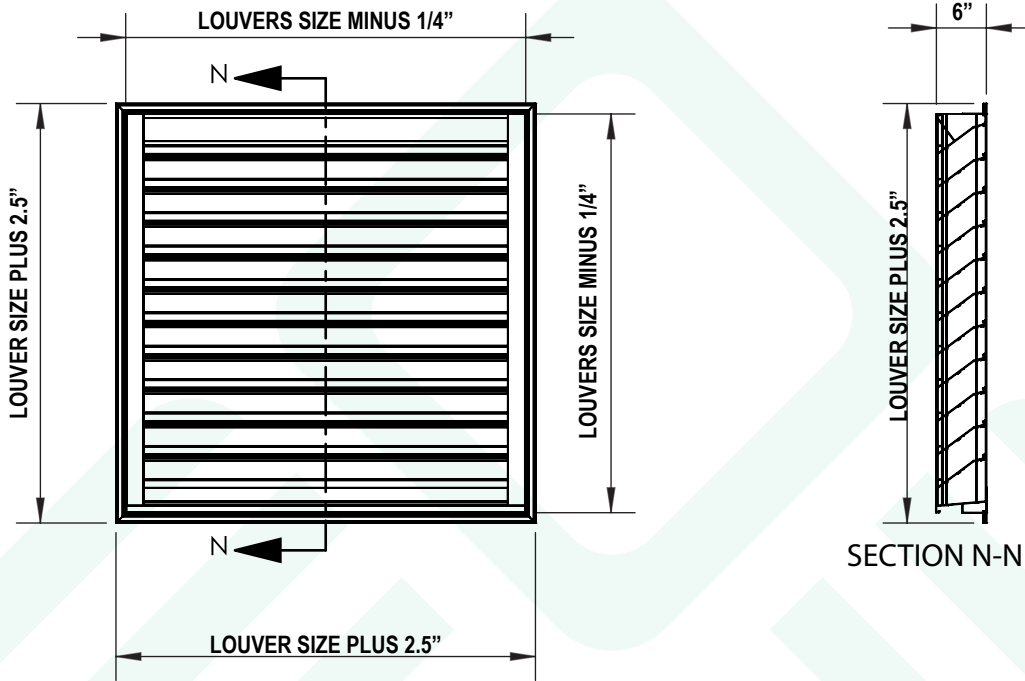


VERTICAL ASSEMBLY



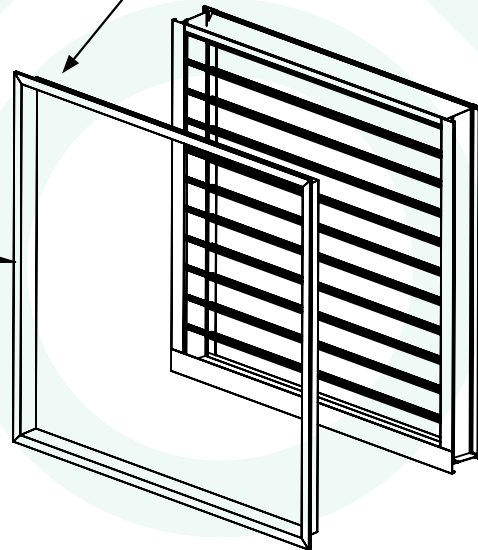
INDUSTRIAL LOUVERS

PMI MODEL



TO AVOID RAIN WATER PENETRATION
ADD **SELEANT** IN PERIMETER BETWEEN FRAME AND LOUVER
*** SUPPLIED BY OTHERS**

PERIMETER FRAME TO COVER DETAILS IN WALL AND GIVE BETTER AESTHETICS TO THE PROJECT

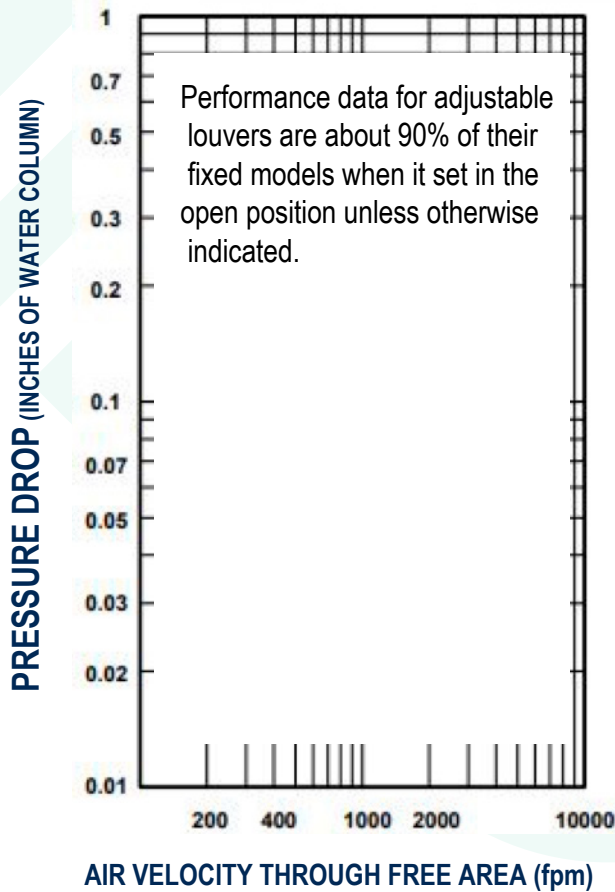


PERIMETER FRAME FIXES TO THE SIDES FROM THE LOUVER TO AVOID SCREWS IN FRONT OF THE FRAME

FREE AREA OF HL636DA MODEL (FT²)

LOUVER HEIGHT (INCHES)	LOUVER WIDTH (INCHES)							
	12	15	18	24	30	36	42	48
12	0.23	0.31	0.40	0.57	0.73	0.90	1.07	1.24
24	0.73	1.00	1.27	1.82	2.36	2.90	3.45	3.99
36	1.23	1.69	2.15	3.07	3.98	4.90	5.82	6.74
48	1.73	2.37	3.02	4.32	5.61	6.90	8.20	9.49
60	2.11	2.91	3.70	5.28	6.87	8.46	10.04	11.63
72	2.61	3.59	4.57	6.53	8.50	10.46	12.42	14.38
84	3.11	4.28	5.45	7.78	10.12	12.46	14.79	17.13
96	3.61	4.97	6.32	9.03	11.75	14.46	17.17	19.88

PERFORMANCE DATA LOUVER HL636DA



HL636DA WATER PENETRATION

Water penetration according
To test based on free area measurement
Required for amca publication
511 section 8.3.2: 1250 fpm

Rainwater penetration is 0.01 ounces per square foot of free area in a test 15 minutes.

Maximum air velocity recommended: **1250 ft/min.**