

HL3E MODEL

EXTRUDED ALUMINUM PANORAMIC LOUVER IDEAL FOR PARKING LOTS 3" SPACING

- For optimal ventilation in parking lots.
- 50% free area.
- Pressure drop 0.3 " In H2O
- Partial reduction in rainwater penetration.
- Partial inside visibility.
- Easy installation with hidden support and independent floor by floor



CONSTRUCTION:

Extruded aluminum.

FINISH:

Anodized finish standard.

Standard white Anodic acrylic paint. Other colors available.

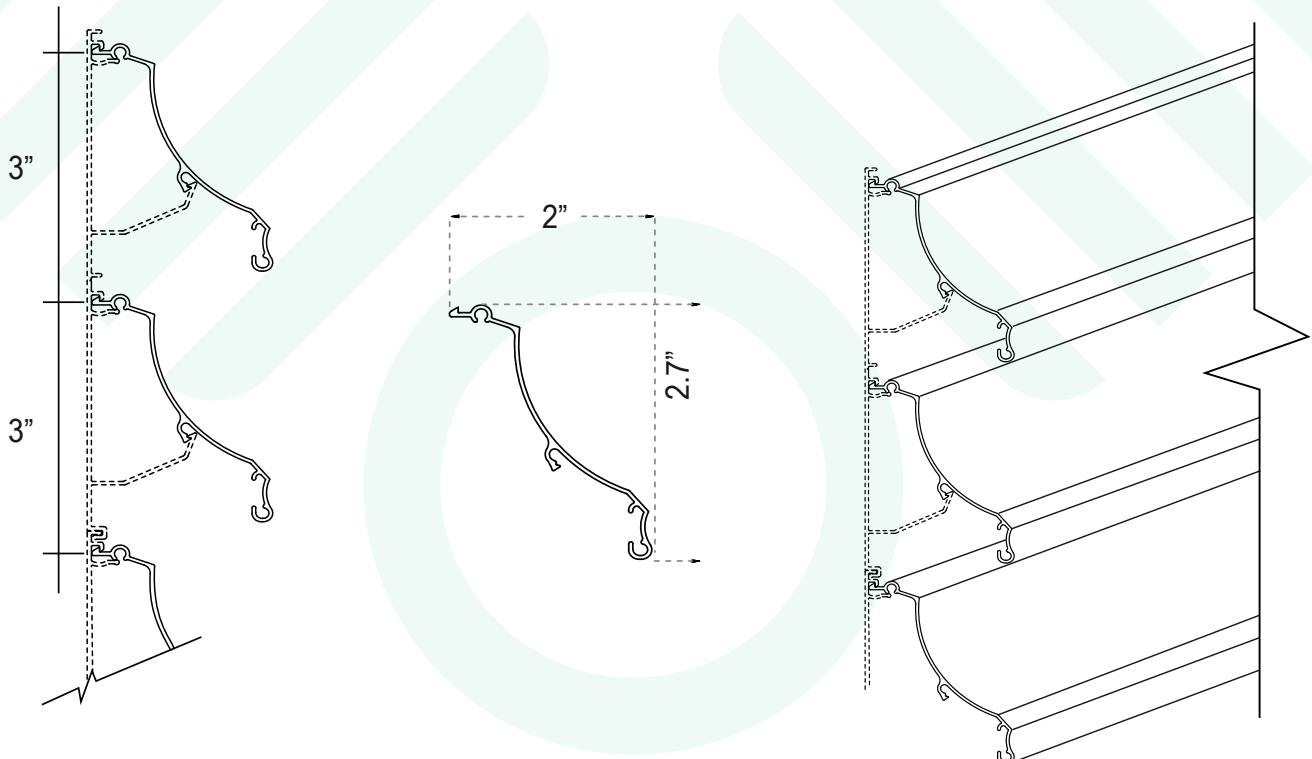
PERFORMANCE:

Pressure drop of 0.3" In H2O at velocities between 900 and 1000 feet / min.

OPTIONAL GADGETS:

- Aluminum frame in small Louvers (size smaller than 60x60").
- Mosquito net.
- Bird mesh.
- Filter

Dimensional Data



TESTED TO ASTM E330-02 STRUCTURAL PERFORMANCE HL3E

Test results:

Temperature during the test was 80.42°F. Results are shown below:

TEST SPECIFICATION:

TEST TITLE	RESULTS	REQUIRED VALUES
Structural Performance per ASTM E330	1200 Pa (25.06 psf) Max Front Arrow 0.2 in.	Max Arrow Admissible Relative < 0.204 in corresponding to L/200

Wind load resistance by ASTM E330-02: Test was run according to the methodology of the mentioned norm, to evaluate deflection behavior before a wind load.

Result tells us that the material can resist the established pressure without suffering permanent deformations

In this case, the submitted sample was evaluated up to 1200 Pa with an admissible 0.2 in. which corresponds to the design pressure of an element in the presence of a Category 1 hurricane, (winds up to 153 km / hr.), according to ASCE 7 02, in section 6.5.10, of which we can mention in the table below:

HURRICANE CLASSIFICATION ACCORDING TO SAFFIR SIMPSON

CATEGORY	WIND VELOCITY in mph	WIND PRESSURE ACCORDING TO ASCE 7 05 6.5.1 (Pa)*	
		Pd	Pu
Category 1	95	1,243.53	1,865.30
Category 2	110	1,692.58	2,538.88
Category 3	119	2,371.45	3,557.18
Category 4	156	3,356.27	5,034.40
Category 5	> 157	3,454.26	5,181.38