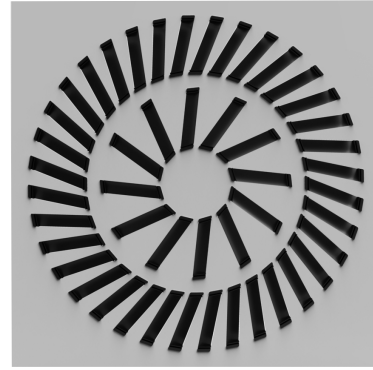


DRT-48 MODEL

SWIRL DIFFUSER WITH 48 PLASTIC DEFLECTORS

- High induction capacity thanks to its rotational flow
- Modern design with aerodynamic deflectors
- Recommended to distribute air in cooling, ventilation and heating systems
- 360° air diffusion pattern with low pressure drop
- Easy assembly on false T-profiles
- The diffuser can be supplied with or without a plenum box



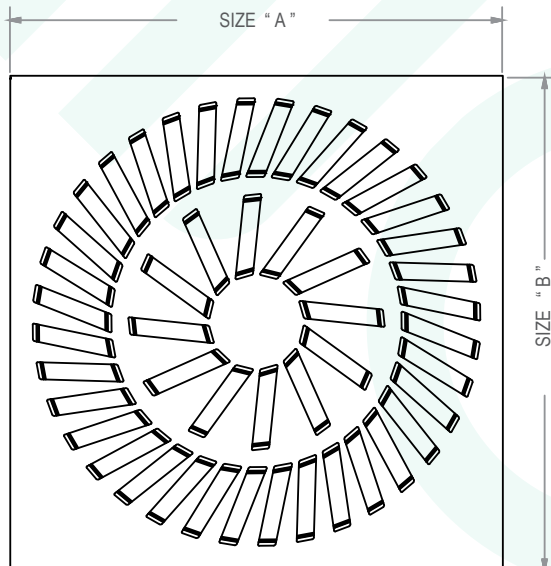
CONSTRUCTION: Diffuser made of galvalneal sheet with plastic deflectors in black color.

FINISH: Standard white Anodic acrylic paint. Black plastic deflectors.

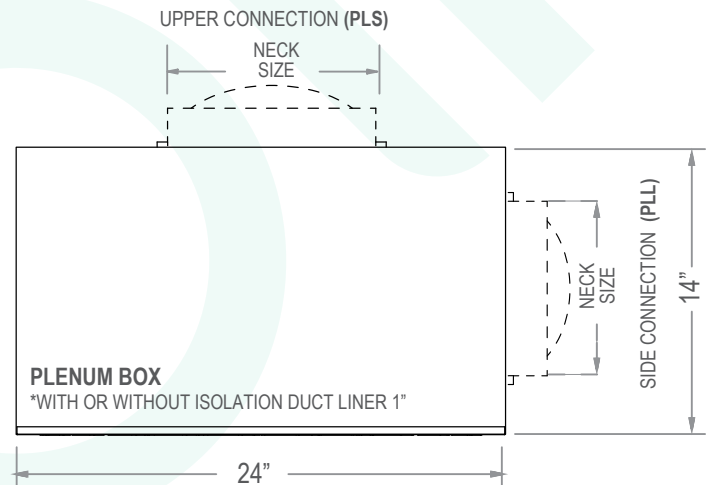
The diffuser has connection to the duct by box plenum with side or upper entry, suitable for injection or return.

Dimensional Data

DIFFUSER DIMENSIONS		
MODULE	A	B
24" X 24"	23.5"	23.5"



PLENUM DIMENSIONS		
NECK CONNECTION	BOX HEIGHT	NECK DIAMETER
PLL (SIDE ENTRY)	14"	6" a 12"
PLS (UPPER ENTRY)	14"	6" a 14"



DRT-48 MODEL

SWIRL DIFFUSER WITH PLASTIC DEFLECTORS

PERFORMANCE DATA

NECK DIAMETER	VELOCITY (ft/min)	200	300	400	500	600	700	800	900	1000	1100	1200
	VEL. PRESSURE (inH ₂ O)	0.003	0.0056	0.0097	0.0155	0.0224	0.0305	0.0399	0.0504	0.0623	0.0776	0.0897
6" NA 0.196	CFM	39	59	78	98	118	137	157	176	196	216	235
	TP	0.008	0.016	0.026	0.037	0.051	0.066	0.082	0.102	0.123	0.145	0.169
	THROW	0-0-1	0-1-1	1-1-2	1-1-3	1-2-3	1-2-4	2-2-4	2-3-4	2-3-5	2-4-6	3-4-7
8" NA 0.349	CFM	70	105	140	175	209	244	279	314	349	384	419
	TP	0.010	0.017	0.027	0.040	0.055	0.072	0.089	0.110	0.134	0.158	0.185
	THROW	1-1-2	1-1-2	1-2-4	2-3-4	3-3-4	3-4-5	4-4-6	4-5-7	4-5-8	5-6-9	5-6-10
10" NA 0.545	CFM	109	164	218	273	327	382	436	491	545	600	654
	TP	0.016	0.025	0.038	0.053	0.077	0.098	0.117	0.141	0.169	0.203	0.239
	THROW	1-1-2	1-2-3	1-2-4	2-2-4	3-4-5	3-4-7	4-5-8	4-5-9	5-6-10	5-6-11	6-7-12
12" NA 0.785	CFM	157	236	314	393	471	550	628	707	785	864	942
	TP	0.020	0.036	0.058	0.085	0.111	0.144	0.182	0.223	0.269	0.319	0.372
	THROW	1-1-1	1-1-2	2-2-4	2-3-5	3-4-7	4-4-9	4-5-10	5-6-11	5-7-12	6-7-13	7-8-15
14" NA 1.069	CFM	214	321	428	535	641	748	855	962	1069	1176	1283
	TP	0.024	0.042	0.066	0.097	0.131	0.172	0.219	0.271	0.325	0.386	0.455
	THROW	1-1-3	1-2-4	2-3-6	3-4-7	4-5-9	4-5-10	5-6-11	6-6-13	7-7-14	7-8-16	8-8-17

NOTES:

- 1- CFM, IS AIR FLOW IN CUBIC FEET PER MINUTE
- 2-NC, IS NOISE CRITERIA BASED ON 10db ROOM ABSORPTION
(Re:10-12 WATTS)
- 3-THROW, DATA IS BASED ON ISOTHERMAL MIXED AIR AT
50 / 100 / 150 FEET PER MINUTE TERMINAL VELOCITIES
- 4-NA, IS NECK AREA IN SQUARE FEET
- 5-TP, IS TOTAL PRESSURE IN INCHES OF WATER COLUMN

SUGGEST SPECIFICATION

MODEL	APPLICATION	SLOTS	PLENUM BOX	NECK DIAMETER
↓	↓	↓	↓	↓
DRT	(I) Supply	24 With deflector 48 With deflector	(PLS) Upper connection (PLL) Side connection	6", 8", 10", 12", & 14" 6", 8", 10", & 12"
	(R) Return	24 Without deflector 48 Without deflector	Duct Return (Optional) (PLS) Upper connection (PLL) Side connection	6", 8", 10", 12", & 14" 6", 8", 10", & 12"