

DRA-PL MODEL

PLASTIC CEILING TILE SLOT RETURN DIFFUSER 3/4" SLO



- Plate core, for maximum performance, at 360° diffusion pattern. To be mounted, on almost any ceiling board.
- Its removable diffusion panel allows it to be removed and repositioned using a hidden device .
- Its removable diffusion panel allows it to be removed and repositioned using a hidden device .
- Designed for HVAC application at 8 ft and 10 ft heights.
- Due its resistance to humidity it is ideal for use in bathrooms in condominiums, hotels, and residences.

CONSTRUCTION

Polypropylene construction
4" and 6" diameter available.

FINISH:

Standard white.

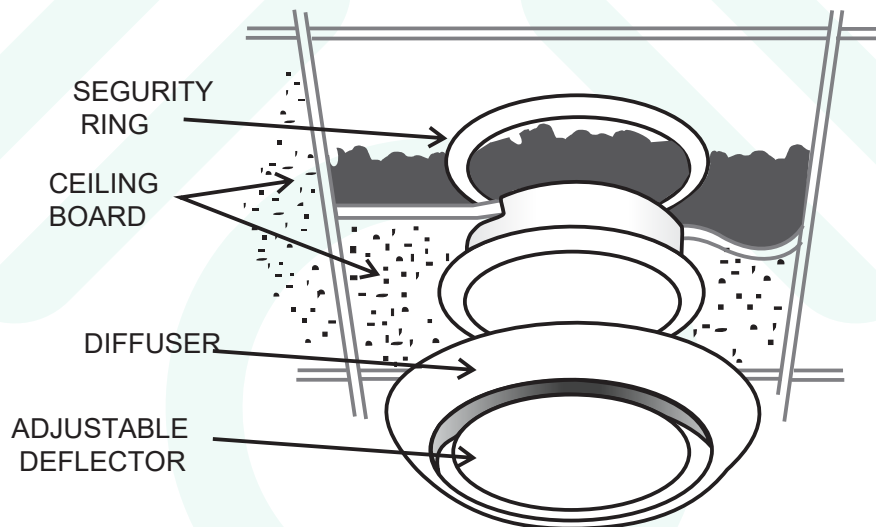
PERFORMANCE:

DRA-PL 4 "Diffusers are designed to handle an area up to 60 square feet.

DRA-PL 6 "diffusers are designed to handle an area up to 150 square feet.

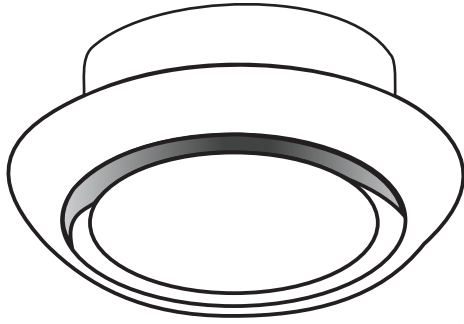
Dimensional Data

DRA-PL MODEL



Technical specifications

4 "and 6" PLASTIC SUPPLY ROUND DIFFUSER Designed to install in ceiling board.



Model	Description	Color
DRA-PL4	DIFFUSER 4"	WHITE
TFG6	DIFFUSER 6"	WHITE
TFGX4	DIFFUSER 4"	WHITE
TFGX6	DIFFUSER 6"	WHITE

Technical data

PLASTIC SUPPLY ROUND DIFFUSER

Diffuser: Polypropylene

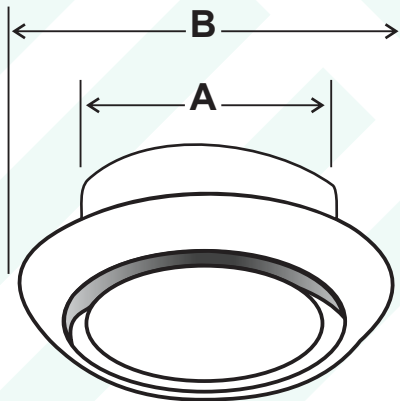
Note: Recommend using flexible aluminum ducts.

Technical data

- DRA-PL 4 "Diffusers are designed to handle an area up to 60 square feet.
- DRA-PL 6 "diffusers are designed to handle an area up to 150 square feet.

General information

- Ideal for installing in ceiling board.
- For HVAC application.



Mod.	A	B	Flexible duct
TFG4	3 7/8"	3 7/8"	4" DIAMETER
TFG6	5 7/8"	5 7/8"	6" DIAMETER
TFGXA	3 7/8"	3 7/8"	4" DIAMETER
TFGX6	5 7/8"	5 7/8"	6" DIAMETER

Model	Description	Color
TFG4	DIFFUSER 4"	WHITE
TFG6	DIFFUSER 6"	WHITE
TFGX4	DIFFUSER 4"	WHITE
TFGX6	DIFFUSER 6"	WHITE