

DPQE MODEL

STEEL PLAQUE FACE DIFFUSER FOR TEE CEILINGS



- Diffuser of attractive appearance, designed to be mounted over "T" profiles of false ceilings, with a diffusion panel that blends with any type of ceiling.
- Diffusion pattern of air irradiated uniformly at 360° over a wide range of air volumes.
- Its diffusion panel, removable, allows it to remove and replace it through a device that is hidden from sight.
- Its construction allows the air to be supplied with a horizontal and compact diffusion pattern, that stays the same even if there are huge air volumen variations.

CONSTRUCTION:

Galvanneal steel structure.
Available neck sizes 6" - 16" diameters.
Diffuser size 24"x24".

FINISH:

Standard white Anodic acrylic paint. Other colors available.

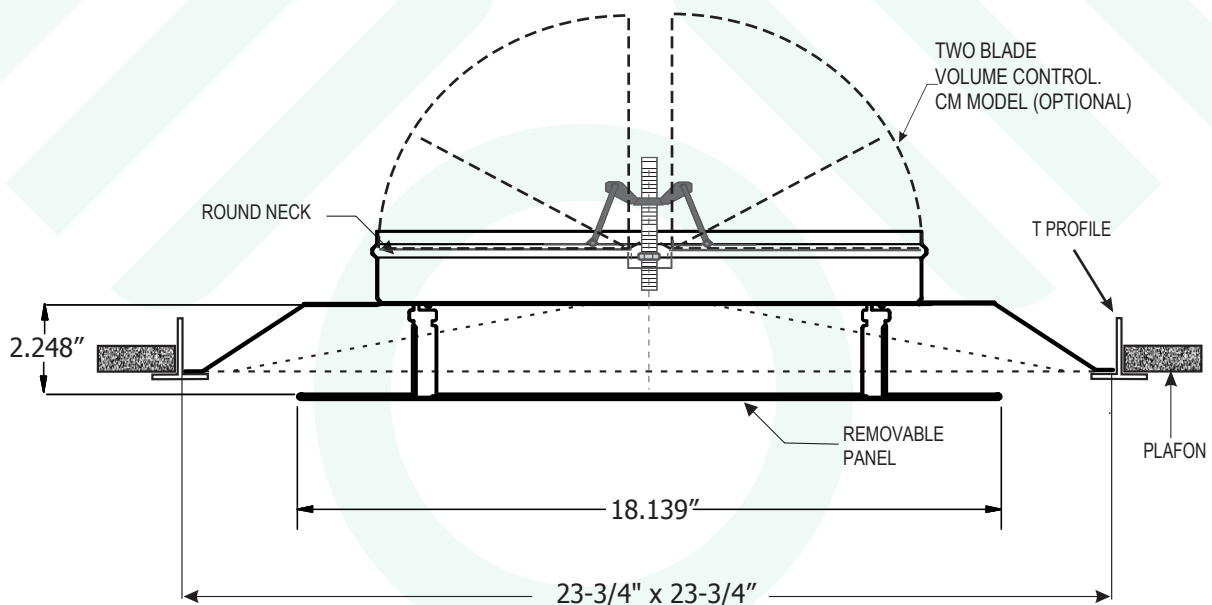
PERFORMANCE:

The DPQ Diffusers are designed to manage cooling temperature differentials from 18° to 20° F for ceiling heights from 8 to 10 feet. Recommended to be use in variable air volume systems.

Dimensional Data

Diffuser size: 24" x 24"
Neck sizes: 6", 8", 10", 12", 14", 16"

DPQE MODEL



TO MOUNT ON FALSE CEILING WITH T PROFILE.

TABLE 1 PERFORMANCE DATA

DIFFUSER SIZE	NECK DIAMETER	VEL. PRESURE (INCHES H2O)	NECK VELOCITY (Feet/Min.)									
			300	400	500	600	700	800	900	1000	1200	1400
			0.0056	0.01	0.016	0.022	0.031	0.04	0.05	0.062	0.09	0.122
24" X 24"	6" NA 0.196	CFM	59	78	98	118	137	157	176	196	235	274
		TP	0.009	0.011	0.017	0.025	0.034	0.044	0.056	0.069	0.099	0.135
		THROW	1 - 3	1-2-4	1-2-4	2-3-5	2-3-5	2-4-6	3-4-8	3-5-10	3-5-11	4-6-11
		NC	-	-	-	-	18	21	25	28	32	35
	8" NA 0.349	CFM	105	140	175	209	244	279	314	349	419	489
		TP	0.011	0.018	0.028	0.04	0.055	0.072	0.091	0.112	0.162	0.22
		THROW	1 - 4	1-3-5	1-3-7	2-4-8	2-5-9	3-5-11	3-7-13	4-8-15	5-8-17	6-11-13
		NC	-	-	-	17	22	25	28	32	36	35
	10" NA 0.196	CFM	164	218	273	327	382	436	491	545	654	763
		TP	0.016	0.027	0.042	0.06	0.082	0.107	0.136	0.168	0.241	0.329
		THROW	2 - 5	2-3-6	3-4-8	3-6-10	4-5-11	4-7-14	5-9-16	6-10-17	7-11-20	8-14-20
		NC	-	-	-	-	-	-	24	31	36	39
	12" NA 0.349	CFM	236	314	393	471	550	628	707	785	942	1099
		TP	0.020	0.038	0.059	0.085	0.115	0.151	0.191	0.235	0.339	0.461
		THROW	3 - 7	3-5-10	4-5-11	5-8-15	6-9-18	7-11-22	8-12-24	9-14-27	11-17-29	12-18-31
		NC	-	-	-	13	17	21	25	29	34	40
	14" NA 0.545	CFM	321	428	535	641	748	855	962	1069	1283	1497
		TP	0.023	0.05	0.079	0.114	0.155	0.202	0.256	0.316	0.454	0.619
		THROW	4 - 9	4-6-10	4-6-11	6-7-16	7-10-19	8-10-20	7-12-22	9-12-24	9-16-25	12-18-27
		NC	-	-	17	21	25	29	32	34	40	47
	16" NA 0.785	CFM	-	528	660	792	920	1030	1189	1480	1795	2150
		TP	-	0.058	0.09	0.13	0.177	0.22	0.292	0.355	0.478	0.658
		THROW	-	3.5-6-11	4-7-12	5-9-15	7-10-17	8-11-21	9-11-24	10-15-28	11-17-29	12-18-31
		NC	-	-	-	-	-	-	-	-	-	-

NOTES:

- 1- CFM IS CUBIC FEET PER MINUTE.
- 2- TP IS TOTAL PRESSURE LOSS, INCHES OF WATER COLUMN
- 3- THROW IS THE AIR STREAM REACH IN FEET AT A TERNINAL VELOCITY OF 150 & 50 FEET PER MINUTE, RESPECTIVELY.
- 4- NC IS NOISE CRITERIA BASED ON 10 dB ROOM ABSORPTION (Re: 10⁻¹² WATTS)
- 5- NA IS NECK AREA IN SQUARE FEET.
- 6- IF DIFFUSER IS MOUNTED ON AN EXPOSED DUCT, THROW VALUES ARE 70% OF TABULATED VALUES.