

# DMC MODEL

## EXTRUDED ALUMINUM CEILING TILE 1 TO 4 SLOT DIFFUSER SUPPLY WITH CENTER PLAQUE

- To be mounted on tee ceiling on a false ceiling and over the exterior surface of a drywall ceiling or similar.
- Designed to place in a ceiling board, in the central frame of the diffuser core.
- Detachable core provides accessibility to other accessories (CO Model) and facilitates its installation.
- Steel sheet plenum box with round or square neck.



**CONSTRUCTION:** Aluminium structure.

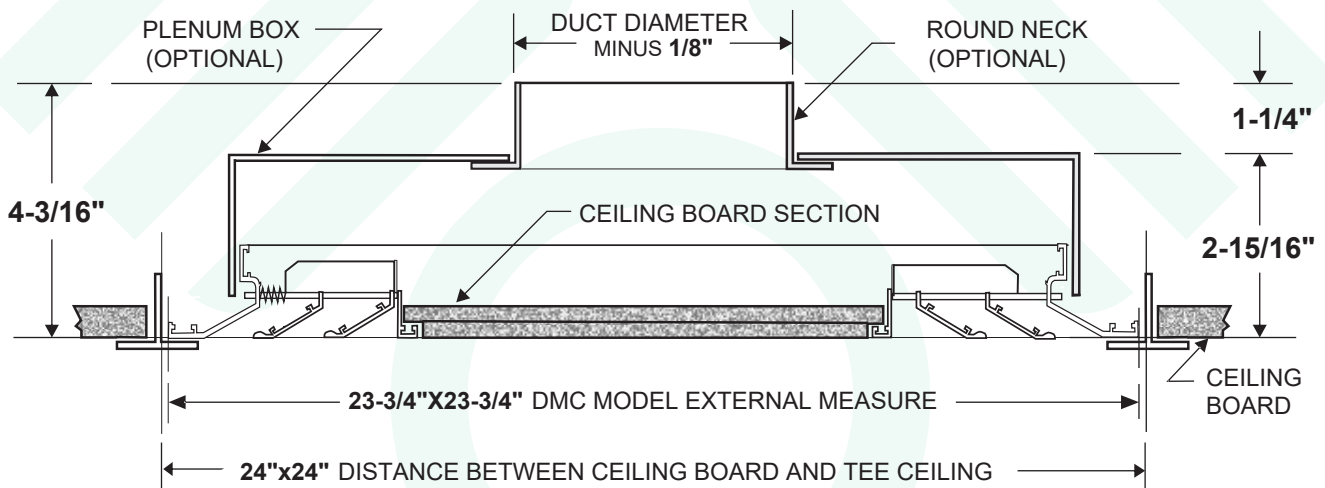
**FINISH:** Standard white Anodic acrylic paint. Other colors available.

**PERFORMANCE :** DMC diffusers assure a trustworthy to use with cooling differentials temperature up to 30°F with a predictable low velocity airflow in the occupied area (35 feet/min).

**DMC-CO MODEL:** Can be supply with CO model

## Dimensional Data

## DMC MODEL



# ALUMINUM SUPPLY / RETURN CEILING TILE DIFFUSER

PERFORMANCE DATA (24" x 24")

# DMC MODEL

SLOT	AIR FLOW (CFM)	NECK SIZE - INCHES																	
		6		8		10		12		8		10		12		14		16	
		SP	THROW	SP	THROW	SP	THROW	SP	THROW	SP	THROW	SP	THROW	SP	THROW	SP	THROW	SP	THROW
1	100	0.023	1 - 2																
	125	0.036	1 - 3																
	150	0.052	2 - 4																
	200									0.092	4 - 9								
	250									0.143	7 - 15								
	300									0.207	10 - 20								
	350					0.281	12 - 21												
	400											0.361	14-23						
2	150	0.014	1 - 2																
	200			0.025	1 - 2														
	250			0.030	1 - 3														
	300			0.055	2 - 4														
	350					0.075	3 - 8												
	400										0.098	4 - 9							
	450										0.124	5 - 12							
	500										0.154	8 - 16							
	600												0.221	11 - 20					
	700												0.301	13 - 22					
3	200			0.030	1 - 3														
	250			0.046	2 - 4														
	300			0.067	3 - 6														
	350					0.091	3 - 8												
	400					0.119	4 - 9												
	450					0.150	6 - 12												
	500					0.186	8 - 16												
	600												0.268	10 - 20					
	700												0.364	13 - 22					
4	200			0.019	1 - 2														
	250			0.030	1 - 3														
	300			0.043	2 - 4														
	350					0.058	3 - 5												
	400					0.076	4 - 8												
	450					0.096	4 - 10												
	500					0.119	4 - 11												
	600							0.171	6 - 14										
	700												0.233	7 - 18					
	800														0.304	11 - 20			
	900														0.385	14 - 24			
	1000																0.476	16 - 28	
1200																0.685	19 - 33		

NOISE CRITERIA - NC

20/25

25/30

30/35