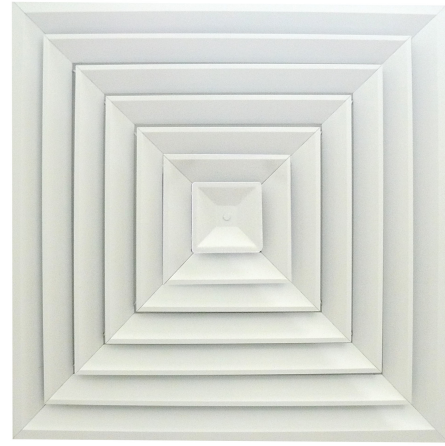


# DMA MODEL

EXTRUDED ALUMINUM  
1 TO 4 WAYS LOUVERED  
FACE DIFFUSER ADJUSTABLE



- Modular diffuser for false ceiling 24" x 24" with air pattern control.
- Adjustable curved blades, with access from the front of the diffuser, allowing adjustment of air diffusion pattern from horizontal to vertical.
- Detachable core provides accessibility to other accessories like CO Model or CM Model and facilitates its installation.
- Steel sheet plenum box with round or square neck.

**CONSTRUCTION:** Aluminium structure.

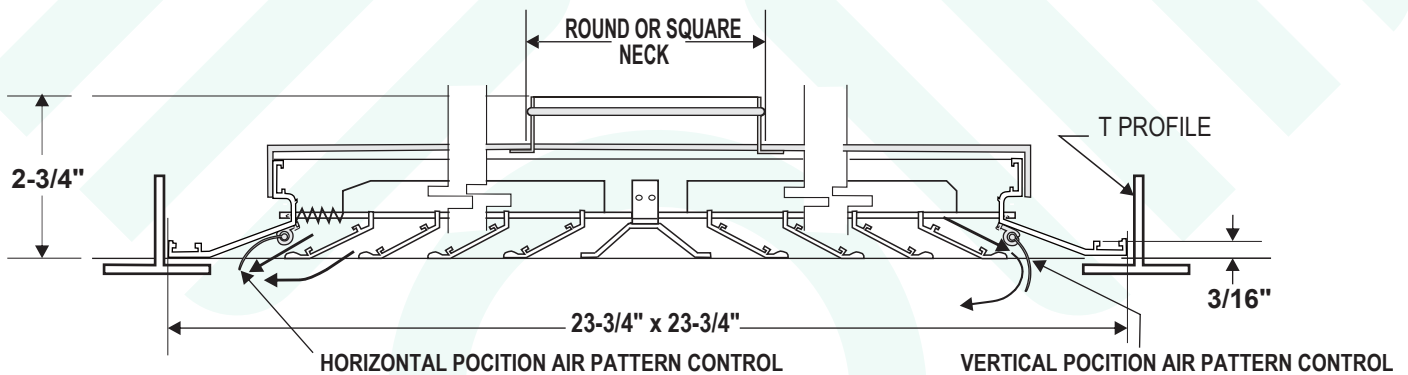
**FINISH:** Standard white Anodic acrylic paint. Other colors available.

**PERFORMANCE :** The horizontal radial discharge of the DMA diffusers assure a trustworthy use with cooling differentials temperature up to 30°F with a predictable low velocity airflow in the occupied area (35 feet/min)

**DMA-CM MODEL OR DMA-CO MODEL:** Can be supply with CM Model or CO Model

## Dimensional Data

## DMA MODEL



## CORRECTION FACTORS

For DCP-W, DCP, and DMA 4-ways diffusers, performance data is found in the performance tables for DCV, DCP, DM, and DCPT models, the performance data can be used adding the correction factors, according to the following table :

- A.- Total Pressure (TP) = Tabulated value of TP x Correction factor
- B.- NC (NOISE CRITERIA) = NC TABULAED + CORRECTION
- C.- Throw = Tabulated throw Value x Correction Factor

Note: Apply the throw factor at the terminal velocity of 50 Feet / min. only

**CORRECTION TABLE FOR DIFFUSERS DCPA, DMA and DCP-W 4 WAY DISTRIBUTION**

NOMINAL NECK	NOICE CRITERIA NC		TOTAL PRESSURE		VERTICAL THROW			
					COOLING 20°F	HEATING, DT		
	Horizontal	Vertical	Horizontal	Vertical		0°F	20°F	40°F
6" X 6"	3	7	1.3	1.6	1.3	1.1	0.8	0.6
9" X 9"	3	7	1.5	2.3	1.5	1.2	0.9	0.6
12" X 12"	3	7	1.5	2.3	1.6	1.3	1.0	0.6
15" X 15"	3	7	1.5	2.3	1.7	1.3	1.0	0.6
18" X 18"	3	7	1.5	2.3	1.7	1.3	0.9	0.6
21" X 21"	3	7	1.5	2.3	1.7	1.3	0.8	0.5
24" X 24"	3	7	1.5	2.3	1.5	1.1	0.7	0.3

**NOTE:** Vertical adjustments are most effective at the sizes indicated in this table using a 4-way pattern.