

DLIAA34-Z MODEL

EXTRUDED ALUMINUM HIGH AIR HANDLING CAPACITY SUPPLY LINEAR DIFFUSER 3/4" SLOT HIDDEN FRAME

- 1 slot 3/4" wide.
- Excelent for indoor.
- Not visible screw mounts and supports.
- Standard lengths 6' and 9'. Nominal lengths of 1' to 9'.
- Steel sheet plenum box optional.



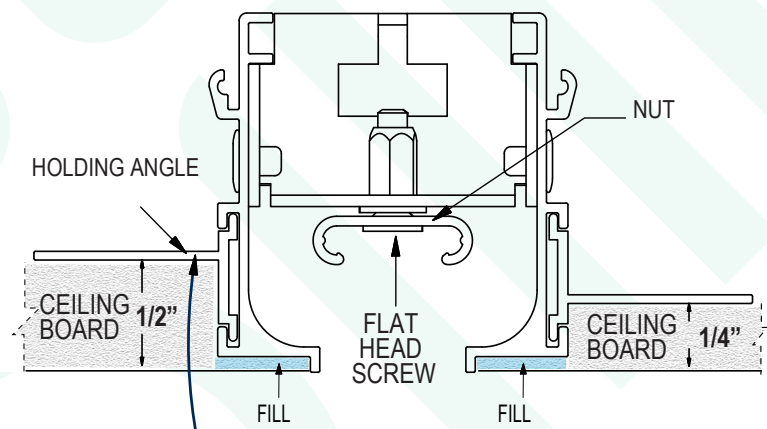
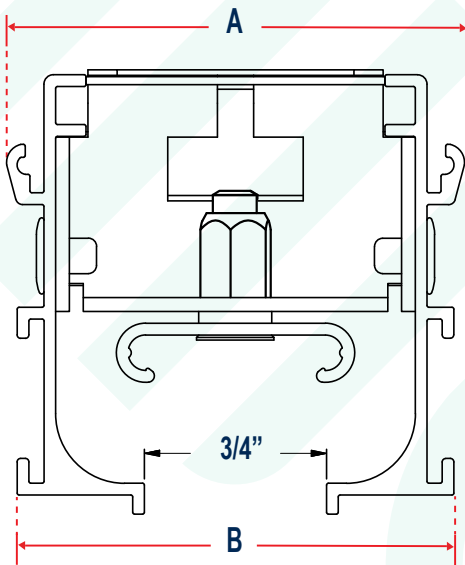
CONSTRUCTION:

Extruded aluminum, lengths up to 9 feet in a single section piece.

FINISH:

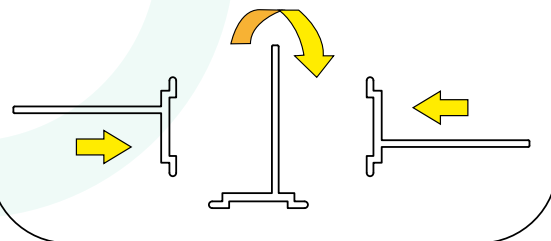
Standard black Anodic acrylic paint. Blades and separators painted in matte black. Other colors available.

Dimensional Data



INSTALL ACSESORIES

* ROTATE HOLDING ANGLE TO ADJUST HEIGHT FROM 1/2 "TO 1/4"



| SLOTS QTY | SIZE (INCHES) | |
|-----------|---------------|--------|
| | A | B |
| 1 | 2" | 1 7/8" |

ALUMINUM HIGH PERFORMANCE SUPPLY LINEAR DIFFUSER HIDDEN FRAME

DLIAA34-Z MODEL

PERFORMANCE DATA

| SLOT WIDTH | | VERTICAL THROW | | | | | | |
|---|---------------------------------|----------------|--------|----------|----------|----------|----------|----------|
| 3/4" INLET DUCT DIAMETER 10" | CFM / 4FT in direction of throw | 100 | 180 | 260 | 340 | 420 | 500 | 580 |
| | OULET VELOCITY - (FT / MIN) | 268 | 483 | 698 | 913 | 1127 | 1342 | 1557 |
| | THROW / FT | 4-6-8 | 6-7-16 | 10-13-23 | 12-17-25 | 16-21-28 | 18-23-32 | 21-27-34 |
| | PRESSURE DROP (In H2O) | 0.19 | 0.34 | 0.49 | 0.65 | 0.80 | 0.95 | 1.102 |

| SLOT WIDTH | | LATERAL THROW | | | | | | |
|---|---------------------------------|---------------|---------|---------|----------|----------|----------|----------|
| 3/4" INLET DUCT DIAMETER 10" | CFM / 4FT in direction of throw | 70 | 110 | 150 | 190 | 230 | 270 | 310 |
| | OULET VELOCITY - (FT / MIN) | 188 | 295 | 403 | 510 | 617 | 725 | 832 |
| | THROW / FT | 3-6-12 | 7-10-16 | 9-13-20 | 12-16-22 | 15-17-25 | 17-21-28 | 19-23-30 |
| | PRESSURE DROP (In H2O) | 0.25 | 0.39 | 0.54 | 0.68 | 0.82 | 0.96 | 1.11 |

NOTE: Volumes and outlet velocity are calculated by plenum 4 feet long.

NOTES: FOR APPLICATION OF PERFORMANCE DATA IN THESE TABLES PLEASE REFER TO ENGINEERING DATA.

- 1- THROW VALUES ARE BASED ON AN ACTIVE SECTION 4 FEET LONG, PLEASE CONSULT ENGINEERING DATA FOR LENGTHS OTHER THEN 4 FEET.
- 2- THROW VALUES ARE GIVEN FOR 150, 100 & 50 FPM TERMINAL VELOCITIES.
- 3- NC SOUND PRESSURE LEVEL NOISE CRITERIAL VALUES ARE BASED ON A 4 FEET ACTIVE LINEAR DIFFUSER LENGHT AND ROOM ABSORPTION OF 10db. FOR SOUND POWER LEVEL (Lw) Re: 10⁻¹² WATTS. CONSULT ENGINEERING DATA FOR LENGHTS OTHER THAN 4 FEET.
- 4- HORIZONTAL THROW IN FT. (ONE WAY) VALUES, BASED ON TEST WITH A COOLING TEMPERATURE DIFFERENTIAL ON 20°F. FOR TWO WAY HORIZONTAL THROW APPLICATION, PROPORTION CFM AND NUMBER OF SLOTS SUPPLYING AIR IN EACH OPPOSITE DIRECTION ON HORIZONTAL THROW AND SELECT FROM DATA IN THESE TABLES FOR EACH OPPOSITE ONE WAY DIRECTION THROW.