

DLIAA10-Z MODEL

EXTRUDED ALUMINUM HIGH AIR HANDLING CAPACITY SUPPLY LINEAR DIFFUSER 1" SLOT BORDER TYPE-Z

- 1 slot 1" wide.
- Not visible screw mounts and supports.
- Standard lengths 6' and 9'. Nominal lengths of 1' to 9'.
- Steel sheet plenum box optional.



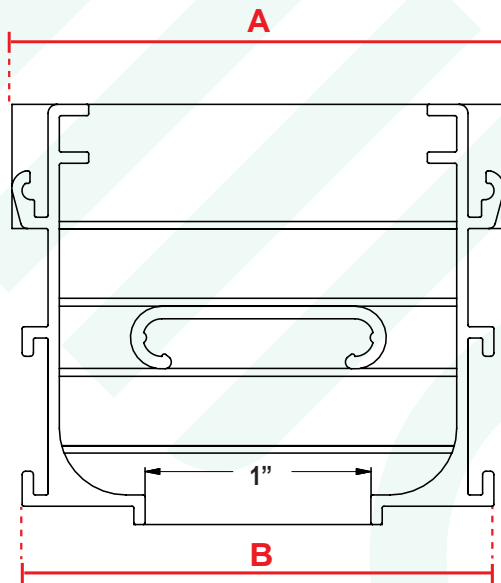
CONSTRUCTION:

Extruded aluminum, lengths up to 9 feet in a single section piece.

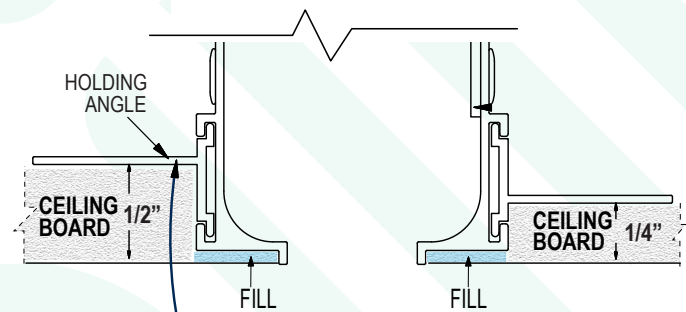
FINISH:

Standard black Anodic acrylic paint. Blades and separators painted in black matte. Other colors available.

Dimensional Data

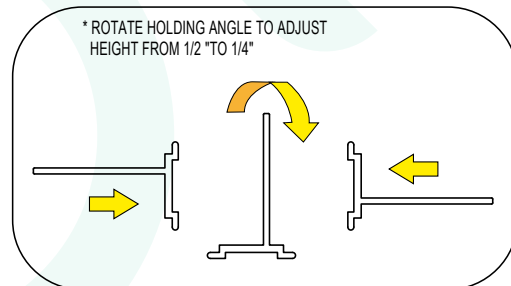


SLOT QTY	DLIAA10-Z	
	A	B
1	2 3/16"	2 3/32"



INSTALL ACCESSORIES

* ROTATE HOLDING ANGLE TO ADJUST HEIGHT FROM 1/2" TO 1/4"



FRAMELESS LINEAR SLOT DIFFUSER.

DLIAA10-Z MODEL

PERFORMANCE DATA.

SLOT WIDTH		DLIAAZ 1" X 4 FT WITH PLENUM BOX AND A NECK OF 8"							
1" Entrada de aire 8" Slot 8" Inlet	CFM / 4FT in direction of throw	125	160	195	230	265	300	335	
	OUTLET VELOCITY FT / MIN	332	424	515	613	712	799	890	
	PIES - THROW / FT	4-6-9	5-8-13	6-10-16	7-12-18	8-14-21	9-15-22	10-17-23	
	DROP PRESSURE (In H2O)	0.03	0.052	0.079	0.113	0.151	0.194	0.244	
	NC	<10	<10	<10	<10	15	19	21	

NOTE: Volumes and outlet velocity are calculated by plenum 4 feet long.

NOTES: FOR APPLICATION OF PERFORMANCE DATA IN THESE TABLES PLEASE REFER TO ENGINEERING DATA..

1- THROW VALUES ARE BASED ON AN ACTIVE SECTION 4 FEET LONG, PLEASE CONSULT ENGINEERING DATA FOR LENGTHS OTHER THAN 4 FEET.

2- THROW VALUES ARE GIVEN FOR 150, 100 & 50 FPM. TERMINAL VELOCITIES.

3- NC SOUND PRESSURE LEVEL NOISE CRITERIA VALUES ARE BASED ON A 4 FEET ACTIVE LINEAR DIFFUSER LENGTH AND ROOM ABSORPTION OF 10 dB. FOR SOUND POWER LEVEL (Lw) Re:10⁻¹² WATTS. CONSULT ENGINEERING DATA FOR LENGTHS OTHER THAN 4 FEET.

4- HORIZONTAL THROW IN FT. (ONE WAY) VALUES, BASED ON TEST WITH A COOLING TEMPERATURE DIFFERENTIAL OF 20° F. FOR TWO WAY HORIZONTAL THROW APPLICATION, PROPORTION CFM AND NUMBER OF SLOTS SUPPLYING AIR IN EACH OPPOSITE DIRECTION OF HORIZONTAL THROW AND SELECT FROM DATA IN THESE TABLES FOR EACH OPPOSITE 1 WAY DIRECTION OF THROW.