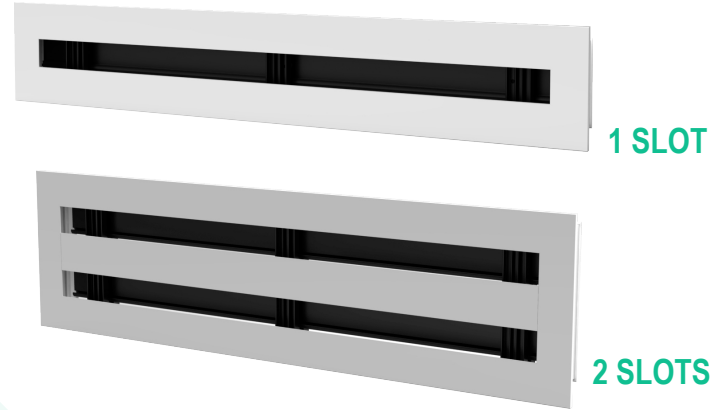


DLI-AA MODEL

EXTRUDED ALUMINUM HIGH AIR HANDLING CAPACITY SUPPLY LINEAR DIFFUSER

- 1 or 2 slots of 1", 1.5", 2", 2.5" and 3".
- Diffuser and duct savings.
- Screw bases and supports not visible.
- STD length 6' and 9'.
- 26ga bonded steel plenum box option.
- Easy and economical installation compared to conventional linear diffuser.
- This model can also be curved.



CONSTRUCTION:

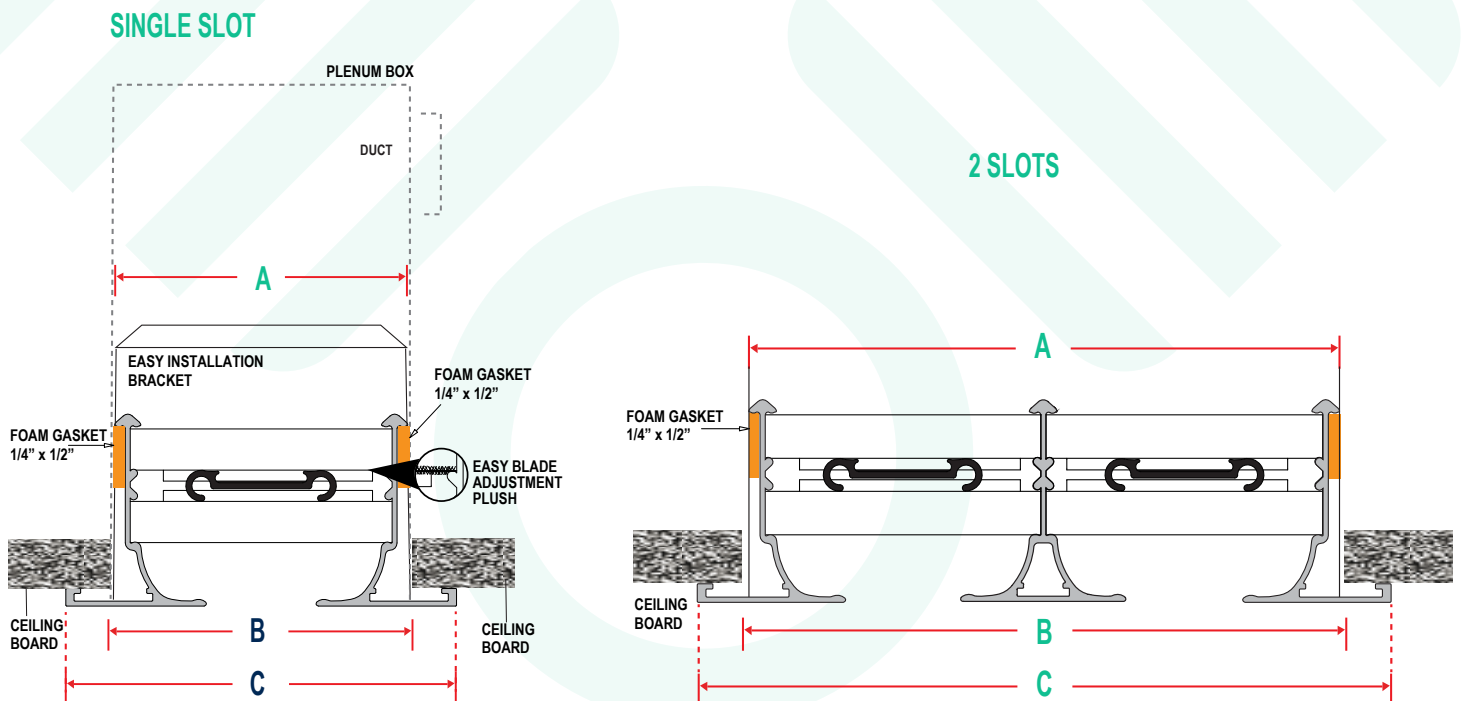
Extruded aluminum, lengths up to 9 feet in a single section piece.

Foam Gasket to prevent air leakage and condensation

FINISH:

Standard white Anodic acrylic paint. Blades and separators painted in matt black. Other colors available.

Dimensional Data

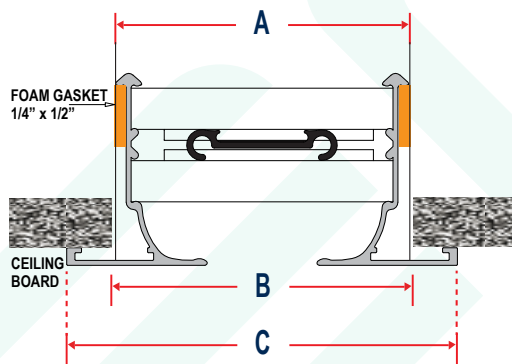


DLI-AA 1", 1.5", 2", 2.5" AND 3" (1 AND 2 SLOTS)

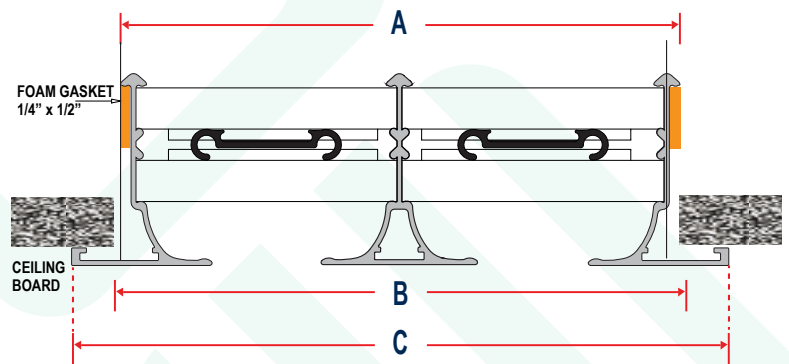
ASSEMBLY DIMENSIONS

SLOTS QTY.	SLOT 1"			SLOT 1.5"			SLOT 2"			SLOTS QTY.	SLOT 2.5"			SLOT 3"		
	A	B	C	A	B	C	A	B	C		A	B	C	A	B	C
1	21 1/16"	21 5/16"	39 1/16"	3 3/4"	4"	4 5/8"	4 1/4"	4 1/2"	5 1/8"	1	4 3/4"	5"	5 5/8"	5 1/4"	5 1/2"	6 1/8"
2	5 1/8"	5 3/8"	6"	7 3/16"	7 7/16"	8 1/8"	8 3/16"	8 7/16"	9 1/16"	2	9 3/16"	9 7/16"	10 1/16"	10 3/16"	10 7/16"	11 1/16"

DLIAA 1" | 1 SLOT



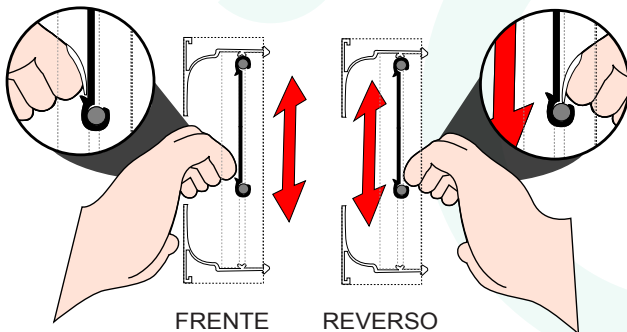
DLIAA 1" | 2 SLOTS



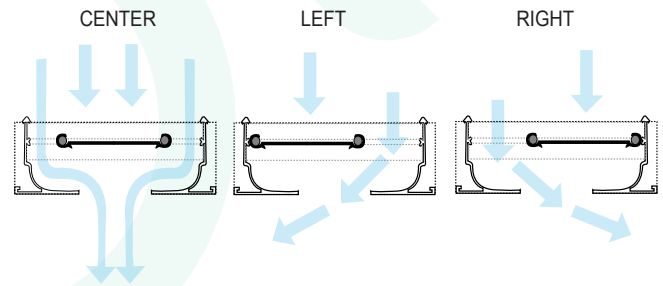
ADJUSTMENT

COMFORTABLE ADJUSTMENT
DUE TO DISPLACEMENT PUSH

EASY BLADE DISPLACEMENT

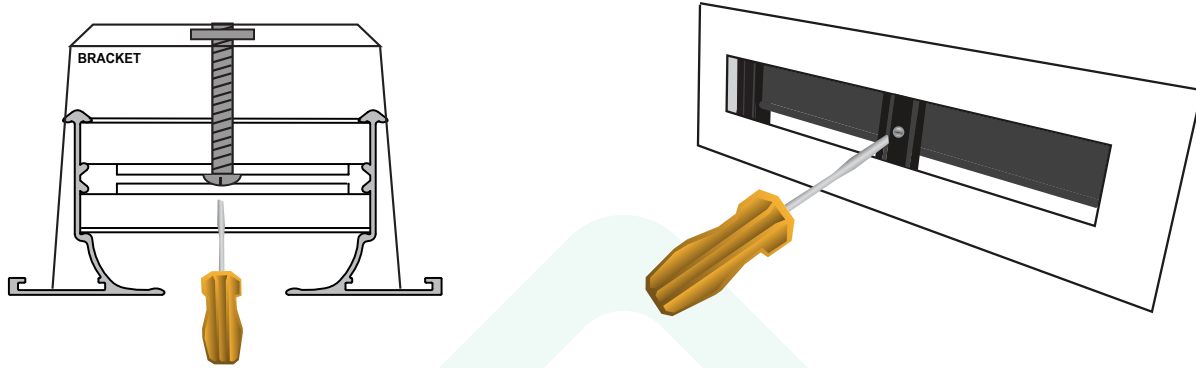


DIFFERENTS AIR FLOW
THROW PATTERN

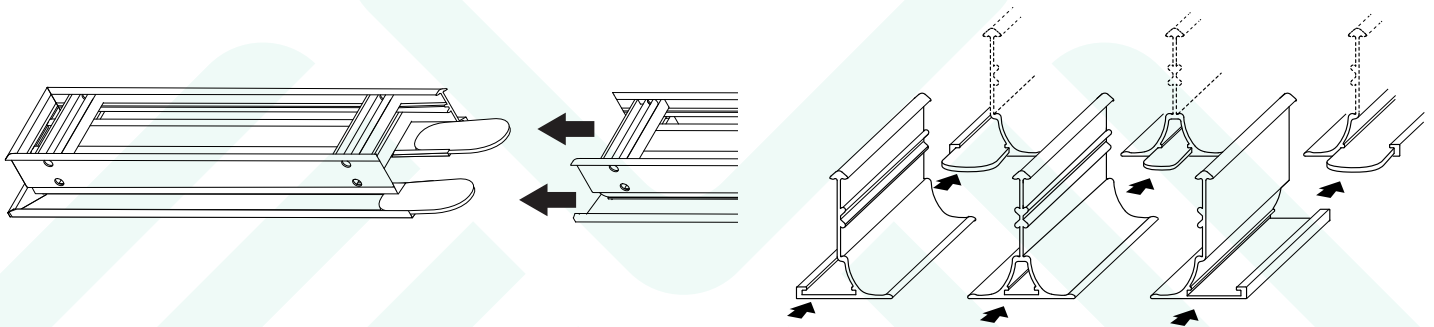


INSTALLATION

SCREW HOLD BRACKET



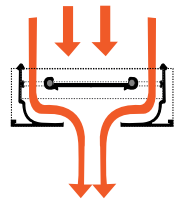
TAB TO INSTALL TWO DIFFUSER SECTIONS



MODEL	APPLICATION	SLOTS	SLOTS SPACING	FRAME	PLENUM BOX	CURVED (Special)
DLI-AA	(I) SUPPLY	1 adjustable blade 2 adjustable blade	(10) 1" height (15) 1.5" height (20) 2" height	(1") DLI-AA (O) DLIAA-O Hidden frame Only 1" slot	(PLS) Superior connection (PLL) Lateral connection	(CVP) Concave on wall *No blades (CXP) Convex on wall *No blades
	(R) RETURN	1 adjustable blade 2 adjustable blade	(10) 1" height (15) 1.5" height (20) 2" height	(1") DLI-AA (O) DLIAA-O Hidden frame Only 1" slot	*Optional (PLS) Superior connection (PLL) Lateral connection	(CVP) Concave on wall *No blades (CXP) Convex on wall *No blades

ALUMINUM HIGH PERFORMANCE SUPPLY LINEAR DIFFUSER

DLI-AA
MODEL



PERFORMANCE DATA PLENUM APPLICATION

TABLE N°1

SLOT WIDTH		1 SLOT						
1" INLET DUCT DIAMETER 10"	4FT Throw direction	100	180	260	340	420	500	580
	THROW / FT	3-5-7	5-8-15	7-10-20	9-14-22	12-17-24	14-19-26	16-22-29
	NOISE CRITERIA (NC)	<10	<10	18	25	30	35	39
	STATIC PRESSURE	0.010	0.033	0.070	0.121	0.186	0.265	0.357
	TOTAL PRESSURE	0.012	0.040	0.085	0.146	0.224	0.317	0.427
1" INLET DUCT DIAMETER 12"	4FT Throw direction	100	190	280	370	460	550	640
	THROW / FT	3-4-8	5-8-16	8-12-21	10-15-23	13-17-26	54-20-29	18-23-30
	NOISE CRITERIA (NC)	<10	<10	19	26	32	37	42
	STATIC PRESSURE	0.010	0.037	0.082	0.145	0.224	0.321	0.435
	TOTAL PRESSURE	0.011	0.041	0.090	0.158	0.246	0.351	0.476
1.5" INLET DUCT DIAMETER 10"	4FT Throw direction	120	230	340	450	560	670	780
	THROW / FT	2-4-7	5-7-14	7-10-21	9-14-26	11-17-29	14-20-31	16-24-34
	NOISE CRITERIA (NC)	<10	<10	10	20	29	36	42
	STATIC PRESSURE	0.007	0.028	0.062	0.110	0.170	0.243	0.330
	TOTAL PRESSURE	0.010	0.039	0.086	0.152	0.235	0.337	0.458
1.5" INLET DUCT DIAMETER 12"	4FT Throw direction	120	240	360	480	600	720	840
	THROW / FT	2-5-8	5-7-15	7-11-22	10-15-27	15-18-30	15-21-32	17-25-34
	NOISE CRITERIA (NC)	<10	<10	10	21	30	37	45
	STATIC PRESSURE	0.007	0.030	0.069	0.124	0.195	0.280	0.383
	TOTAL PRESSURE	0.008	0.036	0.085	0.148	0.230	0.332	0.454
2" INLET DUCT DIAMETER 10"	4FT Throw direction	140	265	390	515	640	765	890
	THROW / FT	1-3-7	4-7-13	7-11-20	8-13-26	11-16-30	13-20-33	15-22-36
	NOISE CRITERIA (NC)	<10	10	19	25	30	36	41
	STATIC PRESSURE	0.006	0.020	0.043	0.075	0.119	0.170	0.230
	TOTAL PRESSURE	0.009	0.034	0.075	0.132	0.205	0.295	0.397
2" INLET DUCT DIAMETER 12"	4FT Throw direction	140	290	440	590	740	890	1040
	THROW / FT	1-3-7	5-7-15	8-11-22	10-15-29	12-19-33	15-21-35	17-26-40
	NOISE CRITERIA (NC)	<10	<10	17	24	31	37	41
	STATIC PRESSURE	0.006	0.024	0.056	0.101	0.160	0.230	0.315
	TOTAL PRESSURE	0.008	0.032	0.075	0.135	0.213	0.310	0.424

NC CORRECTION FOR LENGTH

LENGTH (FT)	2	4	6	8	10
SUPPLY	-2	0	+2	+3	+5
RETURN	0	+3	+5	+6	+8

THROW CORRECTION MULTIPLIER FOR LENGTH

LENGTH (FT)	2	4	8	10	12
THROW CORRECTION	0.72	0	1.5	1.7	1.8

NOTES: FOR APPLICATION OF PERFORMANCE DATA IN THESE TABLES PLEASE REFER TO ENGINEERING DATA.

1- THROW VALUES ARE BASED ON AN ACTIVE SECTION 4 FEET LONG, PLEASE CONSULT ENGINEERING DATA FOR LENGTHS OTHER THEN 4 FEET.

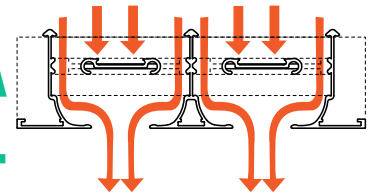
2- THROW VALUES ARE GIVEN FOR 150, 100 & 50 FPM TERMINAL VELOCITIES.

3- NC SOUND PRESSURE LEVEL NOISE CRITERIAL VALUES ARE BASED ON A 4 FEET ACTIVE LINEAR DIFFUSER LENGHT AND ROOM ABSORPTION OF 10db. FOR SOUND POWER LEVEL (Lw) Re: 10⁻¹² WATTS. CONSULT ENGINEERING DATA FOR LENGHTS OTHER THAN 4 FEET.

4- HORIZONTAL THROW IN FT. (ONE WAY) VALUES, BASED ON TEST WITH A COOLING TEMPERATURE DIFFERENTIAL ON 20°F. FOR TWO WAY HORIZONTAL THROW APPLICATION, PROPORTION CFM AND NUMBER OF SLOTS SUPPLYING AIR IN EACH OPPOSITE DIRECTION ON HORIZONTAL THROW AND SELECT FROM DATA IN THESE TABLES FOR EACH OPPOSITE ONE WAY DIRECTION THROW.

ALUMINUM HIGH PERFORMANCE SUPPLY LINEAR DIFFUSER

DLI-AA MODEL



PERFORMANCE DATA PLENUM APPLICATION

TABLE N°2

SLOT WIDTH		2 SLOT						
1" INLET DUCT DIAMETER 10"	4FT Throw direction	160	300	440	580	720	860	1000
	THROW / FT	3-5-9	6-9-18	10-13-25	11-16-29	14-21-32	17-25-34	19-26-38
	NOISE CRITERIA (NC)	<10	<10	19	26	31	35	39
	STATIC PRESSURE	0.007	0.023	0.050	0.088	0.137	0.195	0.264
	TOTAL PRESSURE	0.011	0.042	0.091	0.160	0.245	0.351	0.476
1" INLET DUCT DIAMETER 12"	4FT Throw direction	160	320	480	640	800	960	1120
	THROW / FT	3-5-9	6-10-19	9-14-29	11-18-23	16-23-34	19-26-36	22-27-40
	NOISE CRITERIA (NC)	<10	10	20	27	33	37	42
	STATIC PRESSURE	0.007	0.026	0.060	0.109	0.169	0.244	0.333
	TOTAL PRESSURE	0.009	0.037	0.084	0.149	0.234	0.337	0.459
1.5" INLET DUCT DIAMETER 10"	4FT Throw direction	240	390	540	690	840	990	1140
	THROW / FT	2-5-10	6-8-17	8-12-23	10-15-30	12-18-35	14-21-38	16-24-41
	NOISE CRITERIA (NC)	<10	<10	<10	16	24	30	35
	STATIC PRESSURE	0.008	0.020	0.040	0.064	0.095	0.132	0.177
	TOTAL PRESSURE	0.019	0.052	0.100	0.164	0.242	0.338	0.448
1.5" INLET DUCT DIAMETER 12"	4FT Throw direction	240	415	590	765	940	1115	1290
	THROW / FT	2-5-10	6-9-18	8-13-25	11-16-33	13-20-37	16-24-40	18-28-43
	NOISE CRITERIA (NC)	<10	<10	<10	19	27	33	39
	STATIC PRESSURE	0.008	0.022	0.045	0.079	0.120	0.168	0.225
	TOTAL PRESSURE	0.014	0.040	0.082	0.138	0.209	0.294	0.393
2" INLET DUCT DIAMETER 10"	4FT Throw direction	250	425	600	775	950	1125	1300
	THROW / FT	2-3-9	4-7-15	7-11-22	9-14-28	11-18-34	13-20-40	15-24-44
	NOISE CRITERIA (NC)	<10	16	24	30	35	39	42
	STATIC PRESSURE	0.005	0.012	0.025	0.043	0.065	0.091	0.122
	TOTAL PRESSURE	0.017	0.050	0.101	0.169	0.253	0.357	0.476
2" INLET DUCT DIAMETER 12"	4FT Throw direction	250	450	650	850	1050	1250	1450
	THROW / FT	2-3-9	5-8-17	8-12-24	10-15-31	12-20-37	15-23-44	17-26-47
	NOISE CRITERIA (NC)	<10	13	22	28	33	37	41
	STATIC PRESSURE	0.005	0.014	0.030	0.052	0.080	0.113	0.152
	TOTAL PRESSURE	0.079	0.034	0.073	0.129	0.191	0.271	0.389

NC CORRECTION FOR LENGTH

LENGTH (FT)	2	4	6	8	10
SUPPLY	-2	0	+2	+3	+5
/RETURN	0	+3	+5	+6	+8

THROW CORRECTION MULTIPLIER FOR LENGTH

LENGTH (FT)	2	4	8	10	12
THROW CORRECTION	0.72	0	1.5	1.7	1.8

NOTES: FOR APPLICATION OF PERFORMANCE DATA IN THESE TABLES PLEASE REFER TO ENGINEERING DATA.

1- THROW VALUES ARE BASED ON AN ACTIVE SECTION 4 FEET LONG, PLEASE CONSULT ENGINEERING DATA FOR LENGTHS OTHER THEN 4 FEET.

2- THROW VALUES ARE GIVEN FOR 150, 100 & 50 FPM TERMINAL VELOCITIES.

3- NC SOUND PRESSURE LEVEL NOISE CRITERIAL VALUES ARE BASED ON A 4 FEET ACTIVE LINEAR DIFFUSER LENGHT AND ROOM ABSORPTION OF 10db. FOR SOUND POWER LEVEL (Lw) Re: 10⁻¹² WATTS. CONSULT ENGINEERING DATA FOR LENGHTS OTHER THAN 4 FEET.

4- HORIZONTAL THROW IN FT. (ONE WAY) VALUES, BASED ON TEST WITH A COOLING TEMPERATURE DIFFERENTIAL ON 20°F. FOR TWO WAY HORIZONTAL THROW APPLICATION, PROPORTION CFM AND NUMBER OF SLOTS SUPPLYING AIR IN EACH OPPOSITE DIRECTION ON HORIZONTAL THROW AND SELECT FROM DATA IN THESE TABLES FOR EACH OPPOSITE ONE WAY DIRECTION THROW.

ALUMINUM HIGH PERFORMANCE SUPPLY LINEAR DIFFUSER

TABLE N°3

SLOT WIDTH		1 SLOT						
1" INLET DUCT DIAMETER 8"	4FT Throw direction	70	110	150	190	230	270	310
	THROW / FT	2-5-11	6-9-15	8-12-18	10-14-18	12-15-22	14-17-24	15-18-25
	NOISE CRITERIA (NC)	<10	<10	13	22	29	35	40
	STATIC PRESSURE	0.014	0.033	0.062	0.101	0.148	0.204	0.270
	TOTAL PRESSURE	0.015	0.039	0.074	0.119	0.175	0.242	0.321
1.5" INLET DUCT DIAMETER 8"	4FT Throw direction	80	130	180	230	280	330	380
	THROW / FT	3-6-13	7-10-16	10-14-19	12-15-22	14-17-24	15-18-26	16-20-28
	NOISE CRITERIA (NC)	<10	<10	15	24	32	38	43
	STATIC PRESSURE	0.014	0.037	0.072	0.118	0.176	0.245	0.326
	TOTAL PRESSURE	0.017	0.046	0.089	0.145	0.216	0.300	0.399
2" INLET DUCT DIAMETER 8"	4FT Throw direction	90	150	210	270	330	390	450
	THROW / FT	3-6-13	7-11-18	10-15-21	13-17-24	15-18-26	16-20-28	18-22-31
	NOISE CRITERIA (NC)	<10	<10	20	29	36	42	48
	STATIC PRESSURE	0.011	0.031	0.062	0.102	0.153	0.215	0.286
	TOTAL PRESSURE	0.015	0.042	0.084	0.140	0.209	0.293	0.390

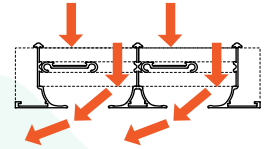


TABLE N°4

SLOT WIDTH		2 SLOT						
1" INLET DUCT DIAMETER 8"	4FT Throw direction	160	230	300	370	440	510	580
	THROW / FT	4-9-18	9-13-22	11-17-25	14-20-28	17-21-30	19-23-32	20-24-35
	NOISE CRITERIA (NC)	<10	<10	18	25	32	37	42
	STATIC PRESSURE	0.018	0.036	0.062	0.095	0.135	0.183	0.235
	TOTAL PRESSURE	0.030	0.065	0.108	0.166	0.234	0.315	0.408
1.5" INLET DUCT DIAMETER 8"	4FT Throw direction	240	310	380	450	520	590	660
	THROW / FT	9-14-22	12-18-25	14-20-28	17-22-31	19-23-33	20-25-35	21-26-37
	NOISE CRITERIA (NC)	<10	15	22	28	34	38	44
	STATIC PRESSURE	0.032	0.053	0.081	0.113	0.151	0.195	0.245
	TOTAL PRESSURE	0.061	0.102	0.154	0.219	0.290	0.374	0.470
2" INLET DUCT DIAMETER 8"	4FT Throw direction	240	300	360	420	480	540	600
	THROW / FT	7-12-22	10-15-25	12-18-27	14-21-29	16-22-32	18-24-33	20-25-35
	NOISE CRITERIA (NC)	12	21	27	33	38	44	49
	STATIC PRESSURE	0.020	0.031	0.045	0.062	0.082	0.102	0.127
	TOTAL PRESSURE	0.049	0.077	0.111	0.152	0.200	0.252	0.311

NC CORRECTION FOR LENGTH

LENGTH (FT)	2	4	6	8	10
SUPPLY	-2	0	+2	+3	+5
RETURN	0	+3	+5	+6	+8

THROW CORRECTION MULTIPLIER FOR LENGTH

LENGTH (FT)	2	4	8	10	12
THROW CORRECTION	0.72	0	1.5	1.7	1.8

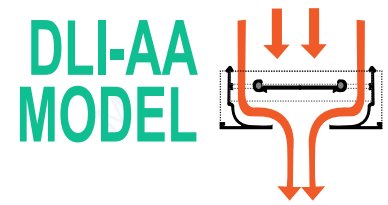
NOTES: FOR APPLICATION OF PERFORMANCE DATA IN THESE TABLES PLEASE REFER TO ENGINEERING DATA.

1- THROW VALUES ARE BASED ON AN ACTIVE SECTION 4 FEET LONG, PLEASE CONSULT ENGINEERING DATA FOR LENGTHS OTHER THEN 4 FEET.

2- THROW VALUES ARE GIVEN FOR 150, 100 & 50 FPM TERMINAL VELOCITIES.

3- NC SOUND PRESSURE LEVEL NOISE CRITERIAL VALUES ARE BASED ON A 4 FEET ACTIVE LINEAR DIFFUSER LENGHT AND ROOM ABSORPTION OF 10db. FOR SOUND POWER LEVEL (Lw) Re: 10⁻¹² WATTS. CONSULT ENGINEERING DATA FOR LENGHTS OTHER THAN 4 FEET.

4- HORIZONTAL THROW IN FT. (ONE WAY) VALUES, BASED ON TEST WITH A COOLING TEMPERATURE DIFFERENTIAL ON 20°F. FOR TWO WAY HORIZONTAL THROW APPLICATION, PROPORTION CFM AND NUMBER OF SLOTS SUPPLYING AIR IN EACH OPPOSITE DIRECTION ON HORIZONTAL THROW AND SELECT FROM DATA IN THESE TABLES FOR EACH OPPOSITE ONE WAY DIRECTION THROW.



ALUMINUM HIGH PERFORMANCE SUPPLY LINEAR DIFFUSER

PERFORMANCE DATA PLENUM APPLICATION

TABLE N°5

SLOT WIDTH		1 SLOT						
2.5" INLET DUCT DIAMETER 12"	4FT Throw direction	150	335	520	705	890	1075	1260
	THROW / FT	1-2-6	4-6-13	7-10-22	9-15-30	13-20-36	15-23-40	17-27-42
	NOISE CRITERIA (NC)	<10	<10	<10	18	25	31	38
	STATIC PRESSURE	0.005	0.022	0.049	0.097	0.15	0.218	0.297
	TOTAL PRESSURE	0.007	0.032	0.078	0.144	0.228	0.333	0.456
3" INLET DUCT DIAMETER 12"	4FT Throw direction	200	400	600	800	1000	1200	1400
	THROW / FT	1-3-8	5-7-15	7-11-23	9-15-31	13-19-36	15-23-41	17-26-44
	NOISE CRITERIA (NC)	<10	<10	<10	<10	17	25	32
	STATIC PRESSURE	0.005	0.021	0.046	0.082	0.13	0.187	0.254
	TOTAL PRESSURE	0.009	0.037	0.083	0.148	0.23	0.33	0.453

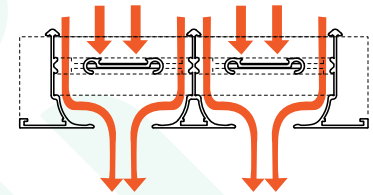


TABLE N°6

SLOT WIDTH		2 SLOT						
2.5" INLET DUCT DIAMETER 12"	4FT Throw direction	300	540	780	1020	1260	1500	1120
	THROW / FT	1-3-9	5-6-15	7-11-22	10-14-28	12-18-35	15-20-38	17-24-40
	NOISE CRITERIA (NC)	<10	<10	<10	18	24	32	35
	STATIC PRESSURE	0.005	0.015	0.03	0.048	0.077	0.107	0.143
	TOTAL PRESSURE	0.01	0.044	0.092	0.162	0.236	0.335	0.45
3" INLET DUCT DIAMETER 12"	4FT Throw direction	320	580	840	1100	1360	1620	1880
	THROW / FT	1-3-8	3-8-12	7-12-24	9-16-29	12-20-36	14-24-44	16-28-51
	NOISE CRITERIA (NC)	<10	<10	<10	<10	16	24	31
	STATIC PRESSURE	0.003	0.011	0.022	0.04	0.062	0.086	0.116
	TOTAL PRESSURE	0.082	0.052	0.102	0.172	0.272	0.33	0.512

NC CORRECTION FOR LENGTH

LENGTH (FT)	2	4	6	8	10
SUPPLY	-2	0	+2	+3	+5
RETURN	0	+3	+5	+6	+8

THROW CORRECTION MULTIPLIER FOR LENGTH

LENGTH (FT)	2	4	8	10	12
THROW CORRECTION	0.72	0	1.5	1.7	1.8

NOTES: FOR APPLICATION OF PERFORMANCE DATA IN THESE TABLES PLEASE REFER TO ENGINEERING DATA.

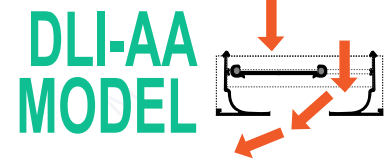
1- THROW VALUES ARE BASED ON AN ACTIVE SECTION 4 FEET LONG, PLEASE CONSULT ENGINEERING DATA FOR LENGTHS OTHER THEN 4 FEET.

2- THROW VALUES ARE GIVEN FOR 150, 100 & 50 FPM TERMINAL VELOCITIES.

3- NC SOUND PRESSURE LEVEL NOISE CRITERIAL VALUES ARE BASED ON A 4 FEET ACTIVE LINEAR DIFFUSER LENGHT AND ROOM ABSORPTION OF 10db. FOR SOUND POWER LEVEL (Lw) Re: 10⁻¹² WATTS. CONSULT ENGINEERING DATA FOR LENGHTS OTHER THAN 4 FEET.

4- HORIZONTAL THROW IN FT. (ONE WAY) VALUES, BASED ON TEST WITH A COOLING TEMPERATURE DIFFERENTIAL ON 20°F. FOR TWO WAY HORIZONTAL THROW APPLICATION, PROPORTION CFM AND NUMBER OF SLOTS SUPPLYING AIR IN EACH OPPOSITE DIRECTION ON HORIZONTAL THROW AND SELECT FROM DATA IN THESE TABLES FOR EACH OPPOSITE ONE WAY DIRECTION THROW.

ALUMINUM HIGH PERFORMANCE SUPPLY LINEAR DIFFUSER



PERFORMANCE DATA PLENUM APPLICATION

TABLE N°7

SLOT WIDTH		1 SLOT						
2.5" INLET DUCT DIAMETER 10"	4FT Throw direction	140	220	300	380	460	540	620
	THROW / FT	5-9-16	10-14-22	14-19-24	15-19-27	17-20-29	19-23-31	21-25-34
	NOISE CRITERIA (NC)	<10	<10	20	29	37	44	49
	STATIC PRESSURE	0.017	0.041	0.077	0.124	0.181	0.25	0.32
	TOTAL PRESSURE	0.021	0.052	0.096	0.154	0.226	0.311	0.41
3" INLET DUCT DIAMETER 10"	4FT Throw direction	200	275	350	425	500	575	650
	THROW / FT	8-13-19	12-15-23	14-18-26	17-20-29	19-23-32	20-24-34	21-26-36
	NOISE CRITERIA (NC)	<10	<10	17	25	32	39	44
	STATIC PRESSURE	0.031	0.058	0.094	0.139	0.192	0.254	0.325
	TOTAL PRESSURE	0.039	0.074	0.12	0.177	0.245	0.324	0.414

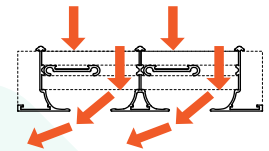


TABLE N°8

SLOT WIDTH		2 SLOT						
2.5" INLET DUCT DIAMETER 10"	4FT Throw direction	160	280	400	520	640	760	880
	THROW / FT	3-6-14	8-13-23	12-15-28	15-23-32	19-26-36	23-28-40	25-30-42
	NOISE CRITERIA (NC)	<10	<10	15	26	35	42	48
	STATIC PRESSURE	0.005	0.017	0.034	0.058	0.088	0.124	0.166
	TOTAL PRESSURE	0.011	0.033	0.068	0.115	0.174	0.245	0.32
3" INLET DUCT DIAMETER 10"	4FT Throw direction	150	300	450	600	750	900	1050
	THROW / FT	2-5-12	7-12-17	12-20-23	15-23-28	20-26-31	23-30-33	26-32-36
	NOISE CRITERIA (NC)	<10	<10	<10	22	31	41	48
	STATIC PRESSURE	0.004	0.017	0.039	0.068	0.106	0.158	0.22
	TOTAL PRESSURE	0.009	0.036	0.081	0.145	0.226	0.32	0.43

NC CORRECTION FOR LENGTH

LONGITUD / LENGTH (FT)	2	4	6	8	10
SUPPLY	-2	0	+2	+3	+5
RETURN	0	+3	+5	+6	+8

THROW CORRECTION MULTIPLIER FOR LENGTH

LENGTH (FT)	2	4	8	10	12
THROW CORRECTION	0.72	0	1.5	1.7	1.8

NOTES: FOR APPLICATION OF PERFORMANCE DATA IN THESE TABLES PLEASE REFER TO ENGINEERING DATA.

1- THROW VALUES ARE BASED ON AN ACTIVE SECTION 4 FEET LONG, PLEASE CONSULT ENGINEERING DATA FOR LENGTHS OTHER THEN 4 FEET.

2- THROW VALUES ARE GIVEN FOR 150, 100 & 50 FPM TERMINAL VELOCITIES.

3- NC SOUND PRESSURE LEVEL NOISE CRITERIAL VALUES ARE BASED ON A 4 FEET ACTIVE LINEAR DIFFUSER LENGHT AND ROOM ABSORPTION OF 10db. FOR SOUND POWER LEVEL (Lw) Re: 10⁻¹² WATTS. CONSULT ENGINEERING DATA FOR LENGHTS OTHER THAN 4 FEET.

4- HORIZONTAL THROW IN FT. (ONE WAY) VALUES, BASED ON TEST WITH A COOLING TEMPERATURE DIFFERENTIAL ON 20°F. FOR TWO WAY HORIZONTAL THROW APPLICATION, PROPORTION CFM AND NUMBER OF SLOTS SUPPLYING AIR IN EACH OPPOSITE DIRECTION ON HORIZONTAL THROW AND SELECT FROM DATA IN THESE TABLES FOR EACH OPPOSITE ONE WAY DIRECTION THROW.