

# DDI-R180 MODEL

## GALVANNEAL SUPPLY PERFORATED SEMICIRCULAR DISPLACEMENT UNIT 180° DISCHARGE PATTERN

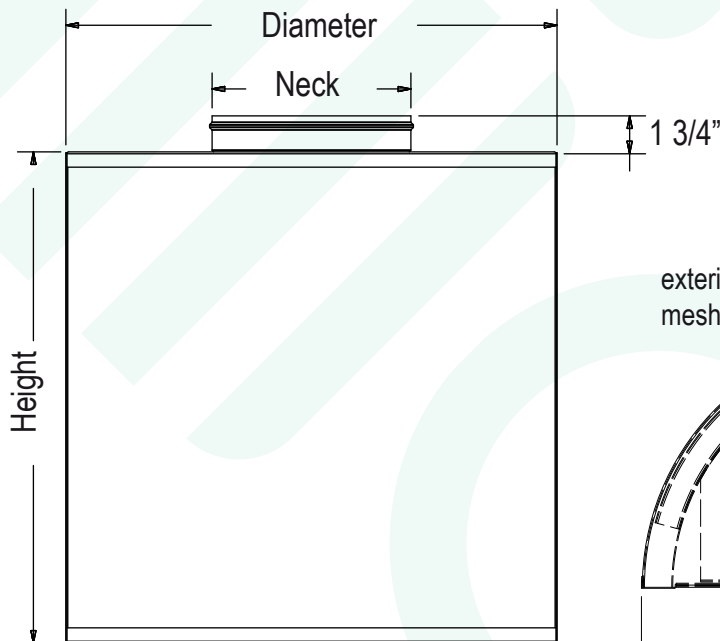
- Low speed air injection for horizontal ground level supply
- Excellent performance and unique aesthetics.
- Removable parts that achieve an easy access for unit cleaning.
- Perforated sheet faces, two styles available : staggered and in line.
- Easy installation



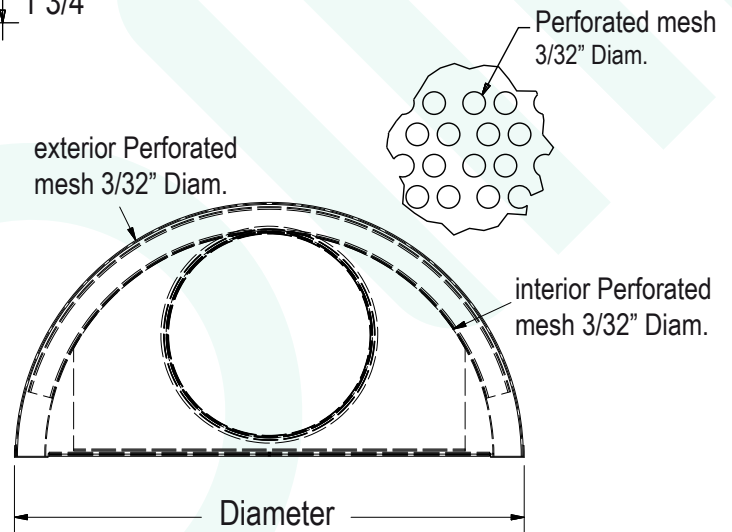
**CONSTRUCTION:** Steel sheet and structure.

**FINISH:** Standard white Anodic acrylic paint. Other colors available.

### Dimensional Data



Selection Table		
Neck	Diameter	Height
10"	24"	24"



# ROUND DISPLACEMENT DIFFUSER.

# DDI-R180 MODEL

## PERFORMANCE TABLE

SIZE	NECK					
<b>18"X24"</b>	<b>6"</b>	<b>CFM</b>	<b>85</b>	<b>128</b>	<b>171</b>	<b>213</b>
		VELOCITY (FPM)	20	30	40	50
		TOTAL PRESSURE(IN WG)	0.02	0.05	0.09	0.13
		NOISE CRITERIAL (NC)	---	---	21	28
<b>18"X36"</b>	<b>6"</b>	<b>CFM</b>	<b>130</b>	<b>196</b>	<b>261</b>	<b>326</b>
		VELOCITY (FPM)	20	30	40	50
		TOTAL PRESSURE(IN WG)	0.04	0.09	0.09	0.14
		NOISE CRITERIAL (NC)	---	22	26	34
NECK 10"X4"						
<b>18"X48"</b>	<b>6"</b>	<b>CFM</b>	<b>175</b>	<b>263</b>	<b>351</b>	<b>439</b>
		VELOCITY (FPM)	20	30	40	50
		TOTAL PRESSURE(IN WG)	0.06	0.13	0.14	0.21
		NOISE CRITERIAL (NC)	20	33	36	44
NECK 10"X4"						
<b>24"X24"</b>	<b>8"</b>	<b>CFM</b>	<b>115</b>	<b>173</b>	<b>230</b>	<b>288</b>
		VELOCITY (FPM)	20	30	40	50
		PRESION TOTAL (IN WG)	0.01	0.03	0.05	0.08
		NOISE CRITERIAL (NC)	---	---	---	19
<b>24"X36"</b>	<b>8"</b>	<b>CFM</b>	<b>176</b>	<b>264</b>	<b>352</b>	<b>440</b>
		VELOCITY (FPM)	20	30	40	50
		PRESION TOTAL (IN WG)	0.02	0.05	0.10	0.15
		NOISE CRITERIAL (NC)	---	---	20	27
<b>24"X48"</b>	<b>8"</b>	<b>CFM</b>	<b>237</b>	<b>355</b>	<b>473</b>	<b>592</b>
		VELOCITY (FPM)	20	30	40	50
		PRESION TOTAL (IN WG)	0.04	0.08	0.10	0.16
		NOISE CRITERIAL (NC)	---	19	25	32
NECK 9"						
<b>24"X60"</b>	<b>9"</b>	<b>CFM</b>	<b>297</b>	<b>446</b>	<b>595</b>	<b>744</b>
		VELOCITY (FPM)	20	30	40	50
		PRESION TOTAL (IN WG)	0.03	0.08	0.10	0.15
		NOISE CRITERIAL (NC)	---	23	28	36
NECK 16"X5"						
<b>30"X24"</b>	<b>8"</b>	<b>CFM</b>	<b>145</b>	<b>217</b>	<b>290</b>	<b>362</b>
		VELOCITY (FPM)	20	30	40	50
		TOTAL PRESSURE(IN WG)	0.02	0.04	0.07	0.12
		NOISE CRITERIAL (NC)	---	---	---	18
<b>30"X36"</b>	<b>10"</b>	<b>CFM</b>	---	<b>332</b>	<b>443</b>	<b>554</b>
		VELOCITY (FPM)	---	30	40	50
		TOTAL PRESSURE(IN WG)	---	0.04	0.07	0.11
		NOISE CRITERIAL (NC)	---	---	---	19
<b>30"X48"</b>	<b>10"</b>	<b>CFM</b>	<b>298</b>	<b>447</b>	<b>596</b>	---
		VELOCITY (FPM)	20	30	40	---
		TOTAL PRESSURE(IN WG)	0.03	0.07	0.10	---
		NOISE CRITERIAL (NC)	---	---	19	---
<b>30"X60"</b>	<b>12"</b>	<b>CFM</b>	<b>374</b>	<b>561</b>	<b>749</b>	<b>936</b>
		VELOCITY (FPM)	20	30	40	50
		TOTAL PRESSURE(IN WG)	0.02	0.04	0.08	0.12
		NOISE CRITERIAL (NC)	---	---	19	27