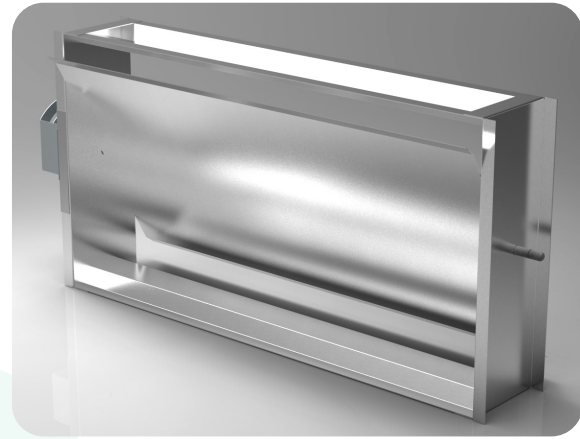


CR1 MODEL

GALVANNEAL SQUARE/ RECTANGULAR SINGLE BLADE DAMPER HAND OPERATOR 1/4" AND 3/8"

- Usable in clean air distribution systems, for heating or cooling, in which low and medium velocity and low and medium pressure air flows are handled.
- Specially designed to be used in branch lines to balance the air flow.
- Powered by a manual actuator that allows the adjustment of the semi-circular movement of its blade, from a fully open or closed position to the position that best suits the operation of the system, thus facilitating its balancing.

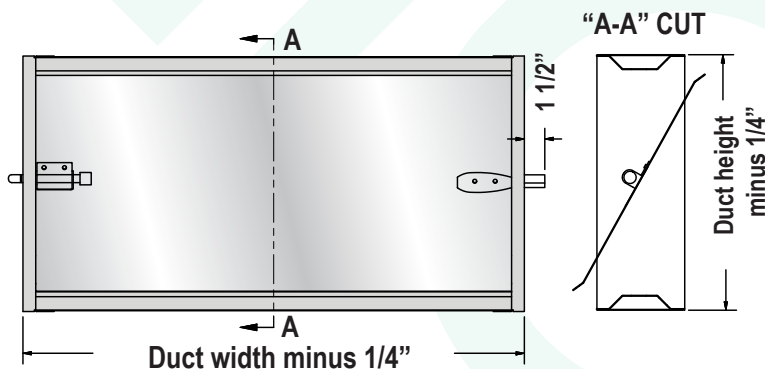
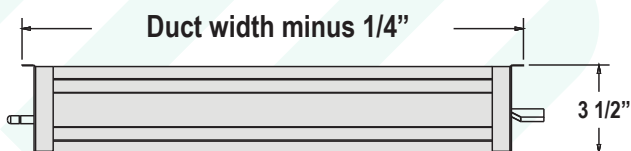


CONSTRUCTION: Galvanneal steel structure.

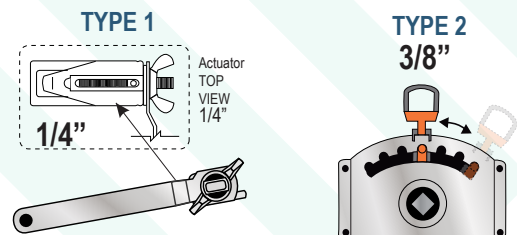
FINISH: Galvanneal

PERFORMANCE: Square or rectangular dampers regulates the supply air flow through the duct, facilitates the balancing of air distribution system.

Dimensional Data



Actuator



ACTUATOR ACCORDING TO DIMENSIONS BLADE WIDTH

		6"	8"	10"	12"	14"	16"	18"	
BLADE HEIGHT	TYPE 1	6"	1/4	1/4	1/4	1/4	3/8	3/8	3/8
	8"	1/4	1/4	1/4	1/4	3/8	3/8	3/8	
	10"	1/4	1/4	1/4	1/4	3/8	3/8	3/8	
	12"	1/4	1/4	1/4	1/4	3/8	3/8	3/8	
	14"	3/8	3/8	3/8	3/8	3/8	3/8	3/8	
	16"	3/8	3/8	3/8	3/8	3/8	3/8	3/8	
	18"	3/8	3/8	3/8	3/8	3/8	3/8	3/8	
	TYPE 2								

Table according to minimum (6"x6") and maximum standard measure (18"x18"), if you want a larger special measure, consult your correspondent