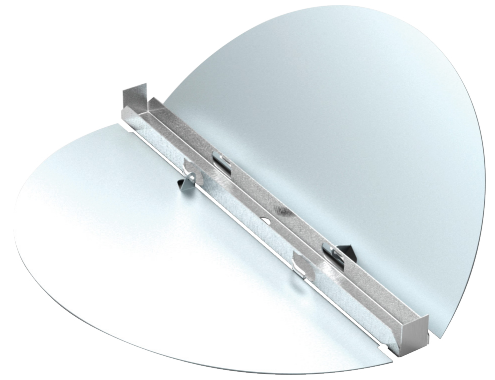


CM MODEL

GALVANNEAL BUTTERFLY DAMPER

- Direct mount on the diffuser neck diameter from 6", 8", 10", 12", 14", 16", 18" & 20".
- CM two blades volume controls damper allow continuous adjustment throughout the entire operating range, from fully open to fully closed, by friction pivots that maintain the desired position.
- Control air volume evenly throughout the diffuser. Foam rubber strips fixed to the neck allow a tight seal and avoid possible knocking.
- Easily adjustable from the front of the diffuser, using a 1/4" Allen wrench, the slotted rod that activates the control mechanism is rotated, opening or closing the outlet opening.

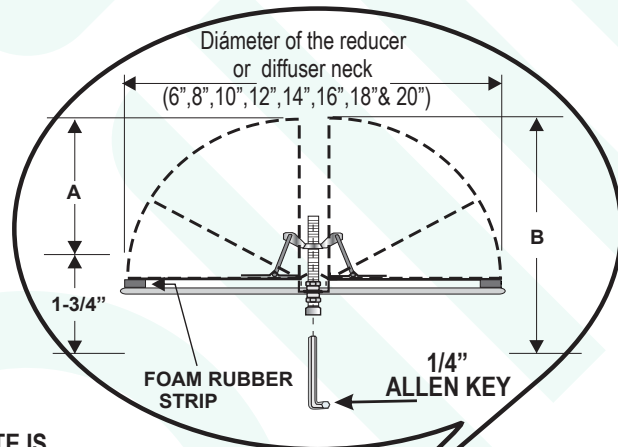
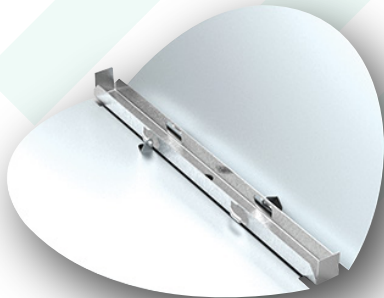


CONSTRUCTION: Galvanneal steel structure.

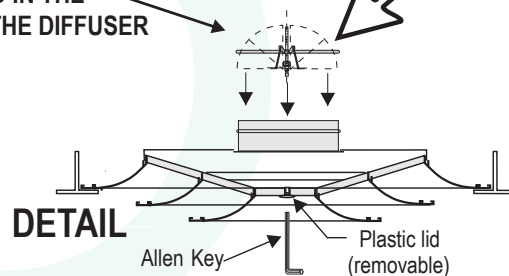
FINISH: Standard white Anodic acrylic paint. Other colors available.

PERFORMANCE: The two blades control regulates the supply air volume, under any static pressure, without affecting the speed or diffusion characteristics of the exhausted air. By rotating the rod, which activates the movement of the control fins, the outlet opening around the periphery is uniformly altered allowing the air supply to vary.

Dimensional Data



THE GATE IS INSTALLED IN THE NECK OF THE DIFFUSER



Dimension	Neck Diameter (INCHES)							
	6	8	10	12	14	16	18	20
A	1-1/4	2-1/4	3-1/4	4-1/4	5-1/4	6-1/4	7-1/4	8-1/4
B	3	4	5	6	7	8	9	10