

8D MODEL

GALVANNEAL 1 TO 4 WAYS CURVED BLADE DIFFUSER INDIVIDUALLY ADJUSTABLE

- Recommended for cooling applications, heating or ventilation where a horizontal air pattern coupled, with the flexibility to change it to achieve the specific requirements of the installation as necessary.
- Discharge pattern of 1, 2, 3 and 4 ways.
- Each distribution route can have its own volume and angle of air discharge.
- Individually adjustable curved blades, provide the ability to discharge air in a horizontal or vertical air pattern.
- Ideal to be installed in false ceilings of heights greater than 10 Feet, adjustable curved blades allow direct current of air at the most appropriate distribution angle.
- Its high efficiency and great handling capacity of air, makes them appropriate for use in the air distribution in ventilation systems and evaporative air, where the air is required to be directly directed towards people or towards work areas.



CONSTRUCTION: Roll formed galvanneal.

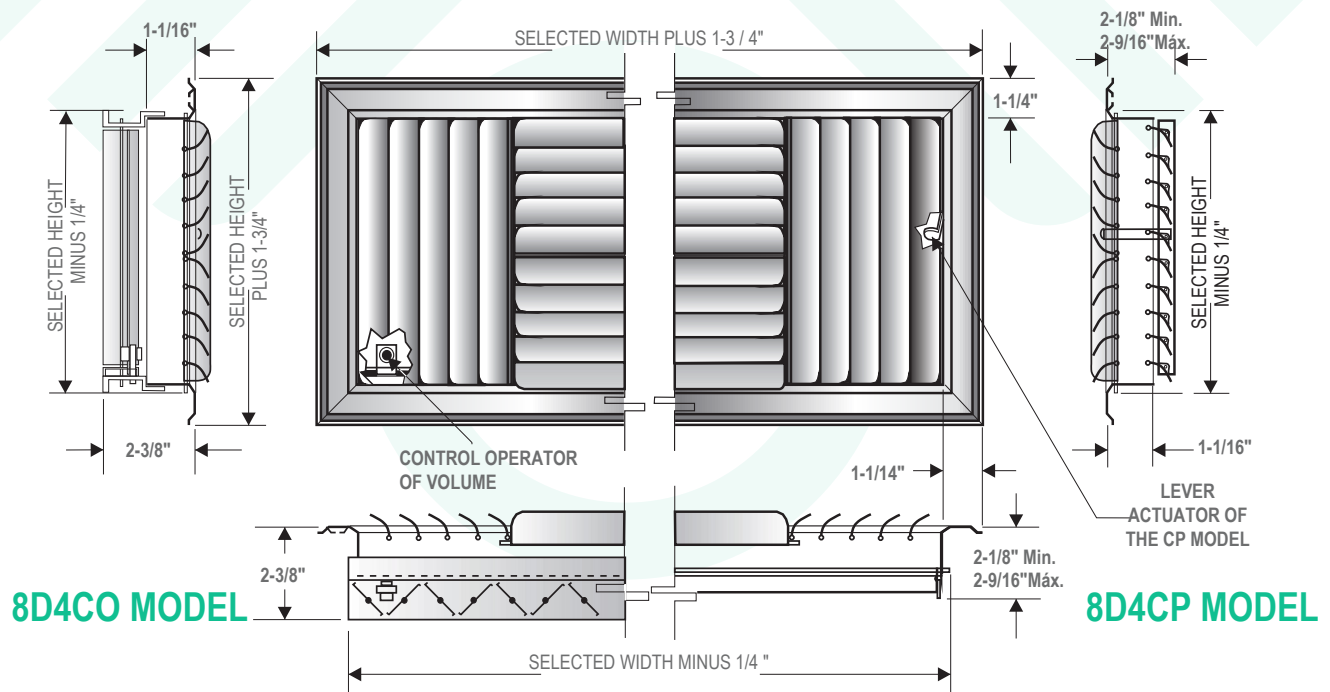
FINISH: Standard white Anodic acrylic paint. Other colors available color.

PERFORMANCE: Work efficiently with differentials of temperature from 20 to 25°F in cooling, and up to 50°F (50°F) in heating.

DCO REGISTER: Optionally supplied with volume control. Model CO., provides maximum control of the direction and volume of the air stream.

D4CP REGISTER: Optionally, supplied with a multi-operation louver, Model CP; effectively distributes the air in the face of the diffuser with a minimal turbulence, and at the same time fulfills its function of controlling the air volume.

Dimensional Data



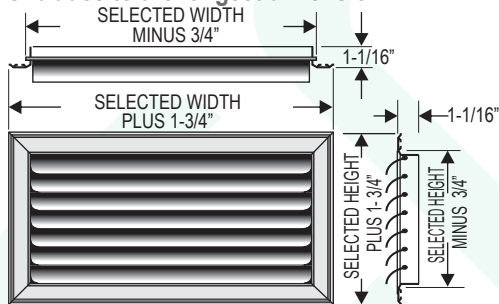
ADJUSTABLE CURVED BLADES DIFFUSER

D-1 & 8D-1 Series

D-1 series diffusers are manufactured with a set of adjustable curved blades, for single track distribution. They can be obtained with parallel blades to the shortest dimension or the longest dimension, depending on it is illustrated. The unique design of the D1CP Model, is a variant of D-1 Diffuser, allows you to control the air volume without distorting its basic pattern.

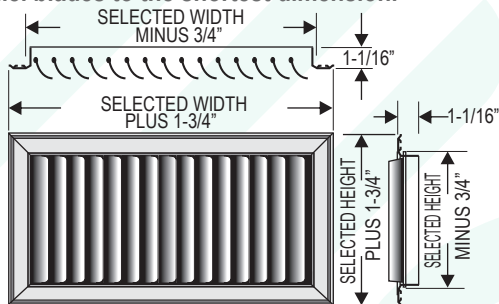
D-1L & 8D-1L MODEL

Parallel blades to the longest dimension.



D-1S & 8D-1S MODEL

Parallel blades to the shortest dimension.

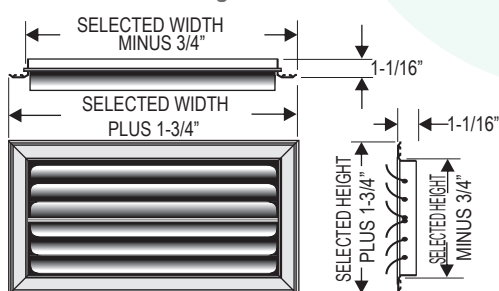


D-2 & 8D-2 SERIES

D-2 Series Diffusers are manufactured with a set of adjustable curved blades, divided into two sections to obtain two equal distribution ways unless another condition is specified. They can be obtained with parallel blades to the longest or shortest dimension, as illustrated.

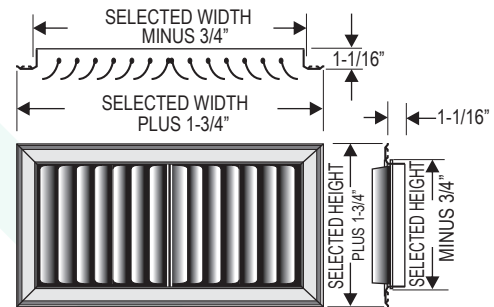
D-2L & 8D-2L MODEL

Parallel blades to the longest dimension.



D-2S & 8D-2S MODEL

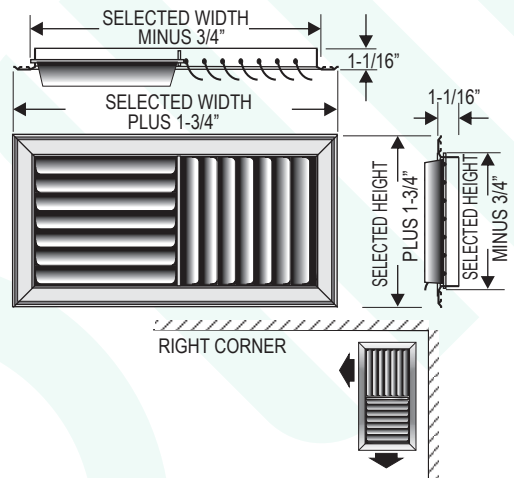
Parallel blades to the shortest dimension.



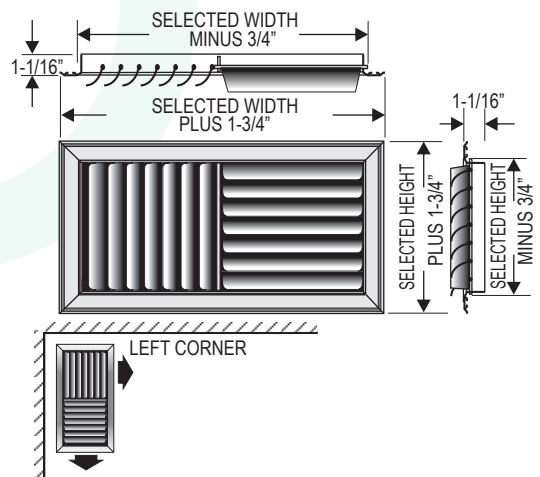
D-2E and 8D-2E MODEL

Corner blades sets, designed to distribute the half of the air in a horizontal pattern towards one end and the other half in a horizontal pattern perpendicular to the previous. Usually these diffusers are used to distribute the air in corners, so it becomes necessary stipulate if the required arrangement is right (D-2ED) or left (D-2EI).

D-2ED & 8D-2ED MODEL



D-2EI & 8D-2EI MODEL



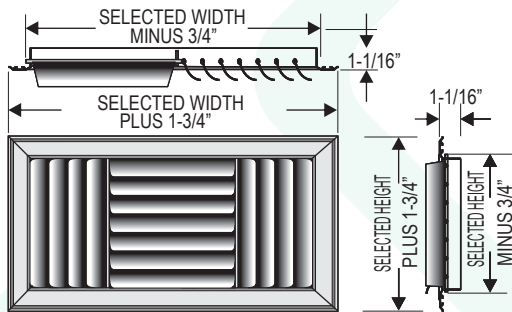
ADJUSTABLE CURVED BLADES DIFFUSER

D-3 & 8D-3 SERIES

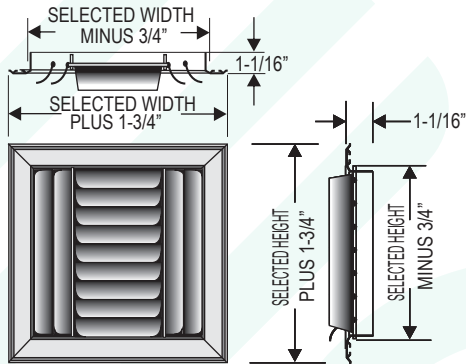
D-3 series diffusers are manufactured with a set of adjustable curved blades, divided into three sections of approximately the same area with the purpose to obtain three distribution ways for the flow of air.

The two sections of the ends are always of the same measure, unless otherwise specified way.

D-3 & 8D-3 MODEL (RECTANGULAR)



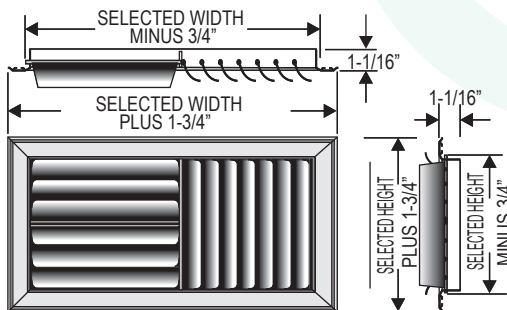
D-3 & 8D-3 MODEL (RECTANGULAR)



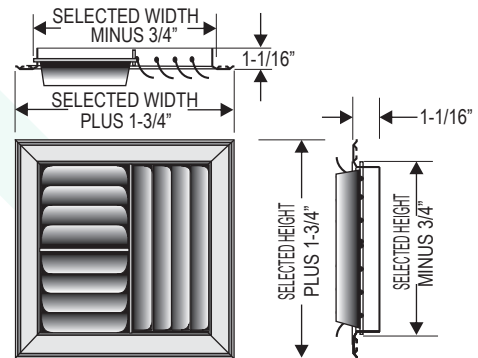
D-3T & 8D-3T MODEL

D-3T models have been designed to distribute the air differently than the manufacturing D-3 normal. The D-3T distributes half of the air flow in one address and a quarter of it in each one of the other two distribution ways.

D-3T & 8D-3T MODEL (RECTANGULAR)



D-3T & 8D-3T MODEL (SQUARE)

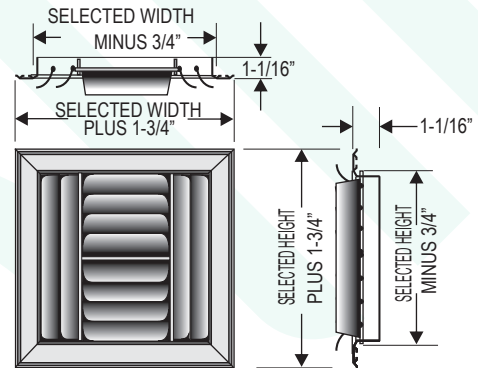


D-4 & 8D-4 SERIES

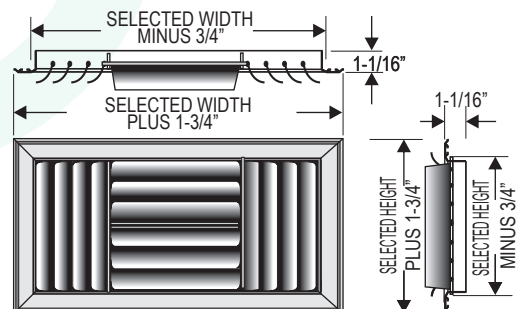
D-4 series diffusers are manufactured with a set of adjustable curved blades, divided into four sections, to obtain 4 air distribution ways of approximately the same area.

The outside areas, even if they do not have the same shape of the interiors, they keep each other proportional equality

D-4 & 8D-4 MODEL (SQUARE)



D-4 & 8D-4 MODEL (SQUARE)



CURVED BLADES DIFFUSERS FOR CEILING OR SIDEWALL INSTALLATION

D & 8D MODELS

TABLE N°1

PERFORMANCE DATA

FACE SIZE AND AREA	FACE VEL.	300 FPM	400 FPM	500 FPM	600 FPM	700 FPM	800 FPM	900 FPM	1000 FPM		
		TOTAL PRESSURE	0.030	0.054	0.087	0.129	0.173	0.222	0.285	0.350	
8 X 4	FACE AREA 0.18 Feet ²	CFM	54	72	90	108	126	144	162	180	
		THROW, IN FEET	4 WAYS	7 - 10	8 - 14	9 - 16	10 - 18	12 - 20	15 - 23	18 - 26	21 - 32
			3 WAYS	7 - 11	9 - 15	10 - 17	12 - 20	14 - 22	17 - 25	20 - 30	23 - 34
			2 WAYS	8 - 12	10 - 16	11 - 19	13 - 22	16 - 26	19 - 28	22 - 32	25 - 36
			1 WAY	9 - 14	12 - 18	14 - 22	16 - 26	18 - 30	20 - 34	24 - 38	27 - 42
NC	13	17	20	24	27	31	34	38			
6 X 6 10 X 4	FACE AREA 0.21 Feet ²	CFM	63	84	105	126	147	168	189	210	
		THROW, IN FEET	4 WAYS	7 - 11	8 - 14	9 - 17	11 - 19	14 - 22	16 - 25	19 - 30	21 - 33
			3 WAYS	7 - 12	9 - 15	11 - 18	12 - 21	15 - 24	17 - 27	21 - 32	23 - 35
			2 WAYS	8 - 13	9 - 16	12 - 20	14 - 23	17 - 27	19 - 29	23 - 34	26 - 38
			1 WAY	9 - 15	12 - 19	15 - 24	16 - 27	19 - 32	22 - 35	26 - 40	28 - 44
NC	14	18	21	25	28	32	35	39			
8 X 8 10 X 6 16 X 4	FACE AREA 0.28 Feet ²	CFM	84	112	140	168	196	224	252	280	
		THROW, IN FEET	4 WAYS	7 - 12	9 - 15	11 - 19	13 - 21	15 - 24	17 - 27	20 - 32	23 - 35
			3 WAYS	8 - 13	9 - 16	13 - 20	15 - 23	16 - 26	18 - 28	22 - 34	24 - 37
			2 WAYS	8 - 14	10 - 18	14 - 22	16 - 26	18 - 29	20 - 32	24 - 36	28 - 42
			1 WAY	9 - 16	13 - 20	17 - 26	19 - 30	21 - 34	24 - 38	28 - 43	30 - 47
NC	14	18	22	26	30	34	38	42			
8 X 8 10 X 6 16 X 4	FACE AREA 0.37 Feet ²	CFM	111	148	185	222	259	296	333	370	
		THROW, IN FEET	4 WAYS	8 - 13	9 - 16	11 - 20	14 - 22	16 - 25	19 - 29	20 - 33	23 - 36
			3 WAYS	8 - 14	10 - 17	13 - 21	15 - 24	17 - 27	20 - 30	22 - 35	25 - 39
			2 WAYS	9 - 15	11 - 19	14 - 23	17 - 27	19 - 31	22 - 34	24 - 37	28 - 42
			1 WAY	11 - 17	14 - 22	17 - 26	20 - 32	22 - 36	25 - 40	28 - 44	32 - 50
NC	15	19	23	28	32	35	38	42			
12 X 6 18 X 4	FACE AREA 0.42 Feet ²	CFM	126	168	210	252	294	336	378	420	
		THROW, IN FEET	4 WAYS	8 - 13	9 - 16	12 - 21	15 - 23	16 - 26	19 - 30	21 - 34	24 - 37
			3 WAYS	8 - 14	11 - 18	13 - 22	16 - 25	18 - 28	20 - 31	23 - 37	26 - 40
			2 WAYS	10 - 16	11 - 20	15 - 24	17 - 28	20 - 32	22 - 35	25 - 38	28 - 43
			1 WAY	11 - 17	15 - 23	17 - 27	20 - 33	22 - 37	26 - 42	30 - 46	33 - 52
NC	16	20	24	28	32	36	39	43			
10 X 8 14 X 6 20 X 4	FACE AREA 0.48 Feet ²	CFM	141	188	235	282	329	376	423	470	
		THROW, IN FEET	4 WAYS	8 - 14	10 - 16	12 - 21	15 - 24	17 - 27	20 - 31	22 - 35	25 - 39
			3 WAYS	9 - 15	12 - 19	14 - 23	16 - 25	19 - 29	21 - 32	23 - 38	26 - 41
			2 WAYS	10 - 16	12 - 21	15 - 25	18 - 29	20 - 33	23 - 36	25 - 40	29 - 43
			1 WAY	12 - 18	15 - 23	18 - 28	21 - 34	23 - 38	26 - 43	30 - 47	34 - 54
NC	17	21	25	29	32	36	39	43			
10 X 10 12 X 8 18 X 6 24 X 4	FACE AREA 0.60 Feet ²	CFM	189	252	315	378	441	504	567	630	
		THROW, IN FEET	4 WAYS	9 - 15	12 - 18	13 - 23	17 - 26	19 - 29	21 - 33	23 - 38	27 - 42
			3 WAYS	10 - 16	12 - 20	15 - 25	18 - 28	20 - 32	22 - 34	25 - 41	29 - 45
			2 WAYS	10 - 17	13 - 22	17 - 26	19 - 31	22 - 36	25 - 38	28 - 44	31 - 46
			1 WAY	12 - 19	16 - 25	20 - 31	23 - 37	26 - 41	29 - 46	33 - 51	37 - 57
NC	18	22	26	30	33	37	41	45			

Throw values are given for 100 & 50 FPM terminal velocities respectively

CURVED BLADES DIFFUSERS FOR CEILING OR SIDEWALL INSTALLATION

D & 8D MODELS

TABLE No. 2

PERFORMANCE DATA

FACE SIZE AND AREA	FACE VEL.	300 FPM	400 FPM	500 FPM	600 FPM	700 FPM	800 FPM	900 FPM	1000 FPM	
		TOTAL PRESSURE	0.030	0.054	0.087	0.129 INCHES H ₂ O	0.173	0.222	0.285	0.350
14 X 8 18 X 6 28 X 4	CFM	210	280	350	420	490	560	630	700	
	THROW, IN FEET	4 WAYS	9 - 15	12 - 18	13 - 23	17 - 26	19 - 30	22 - 33	23 - 38	27 - 42
		3 WAYS	10 - 16	12 - 20	15 - 25	18 - 28	21 - 32	23 - 36	25 - 42	29 - 45
		2 WAYS	11 - 18	14 - 23	17 - 26	20 - 32	22 - 36	26 - 40	28 - 44	32 - 49
		1 WAY	13 - 20	17 - 26	20 - 31	23 - 37	26 - 42	29 - 47	33 - 52	38 - 59
NC	15	21	27	32	36	40	42	45		
12 X 10 16 X 8 20 X 6	CFM	222	296	370	444	518	592	666	740	
	THROW, IN FEET	4 WAYS	10 - 15	12 - 19	14 - 24	17 - 27	20 - 31	23 - 34	24 - 38	27 - 43
		3 WAYS	11 - 16	13 - 21	16 - 26	19 - 29	21 - 32	24 - 37	26 - 42	29 - 46
		2 WAYS	12 - 18	14 - 24	18 - 28	20 - 33	23 - 37	26 - 41	29 - 46	32 - 51
		1 WAY	13 - 20	17 - 27	21 - 32	24 - 38	27 - 44	31 - 49	34 - 53	39 - 61
NC	15	22	28	33	37	41	43	46		
12 X 12 14 X 10 18 X 8 24 X 6	CFM	270	360	450	540	630	720	810	900	
	THROW, IN FEET	4 WAYS	10 - 16	13 - 19	15 - 25	18 - 28	21 - 32	23 - 36	26 - 41	28 - 45
		3 WAYS	11 - 17	14 - 22	17 - 28	19 - 30	22 - 33	25 - 38	28 - 45	30 - 48
		2 WAYS	12 - 18	14 - 25	19 - 30	21 - 34	23 - 38	27 - 42	31 - 48	34 - 52
		1 WAY	13 - 20	17 - 28	22 - 34	25 - 40	28 - 45	32 - 50	36 - 56	41 - 63
NC	16	22	28	33	37	40	43	46		
14 X 12 16 X 10 20 X 8 28 X 6	CFM	315	420	525	630	735	840	940	1050	
	THROW, IN FEET	4 WAYS	10 - 17	13 - 19	16 - 26	19 - 29	22 - 33	23 - 37	28 - 42	29 - 46
		3 WAYS	12 - 18	15 - 23	17 - 28	20 - 31	23 - 35	25 - 39	29 - 45	30 - 48
		2 WAYS	12 - 18	14 - 26	20 - 31	22 - 35	24 - 39	28 - 43	32 - 49	35 - 55
		1 WAY	14 - 21	18 - 29	23 - 36	26 - 40	29 - 46	33 - 52	37 - 59	42 - 65
NC	16	23	29	34	38	41	44	47		
14 X 14 16 X 12 20 X 10 24 X 8 32 X 6	CFM	378	504	630	756	882	1008	1134	1260	
	THROW, IN FEET	4 WAYS	10 - 17	13 - 20	17 - 27	19 - 30	23 - 35	24 - 38	29 - 43	30 - 47
		3 WAYS	12 - 18	16 - 24	18 - 29	21 - 32	24 - 37	26 - 41	30 - 46	32 - 51
		2 WAYS	12 - 19	15 - 27	21 - 32	22 - 36	26 - 42	29 - 46	33 - 51	36 - 57
		1 WAY	15 - 22	19 - 30	24 - 37	27 - 42	30 - 48	34 - 55	39 - 62	43 - 69
NC	17	24	30	35	39	42	45	48		
16 X 14 18 X 12 28 X 8 36 X 6	CFM	420	560	700	840	980	1120	1260	1400	
	THROW, IN FEET	4 WAYS	10 - 17	13 - 21	17 - 27	20 - 31	24 - 36	24 - 39	29 - 44	30 - 48
		3 WAYS	12 - 18	16 - 24	18 - 29	21 - 32	24 - 37	26 - 42	30 - 46	32 - 52
		2 WAYS	13 - 20	16 - 27	21 - 32	22 - 36	26 - 42	29 - 47	33 - 52	37 - 58
		1 WAY	15 - 23	19 - 30	24 - 38	27 - 43	31 - 50	35 - 56	39 - 63	44 - 70
NC	17	24	30	35	39	42	45	48		
20 X 12 24 X 10 30 X 8 40 X 6	CFM	474	632	790	948	1106	1264	1422	1580	
	THROW, IN FEET	4 WAYS	10 - 17	13 - 21	17 - 27	20 - 31	24 - 36	25 - 40	29 - 45	31 - 50
		3 WAYS	12 - 18	16 - 25	18 - 29	21 - 33	25 - 39	27 - 44	31 - 48	34 - 54
		2 WAYS	13 - 20	16 - 27	22 - 32	23 - 37	27 - 43	30 - 48	34 - 54	37 - 60
		1 WAY	15 - 23	19 - 30	24 - 38	27 - 44	32 - 51	36 - 58	41 - 65	45 - 72
NC	18	25	31	36	40	43	46	49		

Throw values are given for 100 & 50 FPM terminal velocities respectively

CURVED BLADES DIFFUSERS FOR CEILING OR SIDEWALL INSTALLATION

D & 8D MODELS

TABLE No.3 PERFORMANCE DATA

FACE SIZE AND AREA	FACE VEL.	300 FPM	400 FPM	500 FPM	600 FPM	700 FPM	800 FPM	900 FPM	1000 FPM	
		TOTAL PRESSURE	0.030	0.054	0.087 INCHES H ₂ O	0.129	0.173	0.222	0.285	0.350
16 X 16 18 X 14 26 X 10 32 X 8	FACE AREA 1.52 Feet²	CFM	492	656	820	984	1148	1312	1476	1640
	THROW, IN FEET	4 WAYS	10 - 17	13 - 21	17 - 27	20 - 31	24 - 36	25 - 40	29 - 45	31 - 52
		3 WAYS	12 - 18	16 - 25	18 - 29	21 - 33	25 - 39	27 - 44	31 - 48	34 - 55
		2 WAYS	13 - 20	16 - 27	22 - 32	23 - 37	27 - 43	30 - 48	34 - 54	37 - 60
		1 WAY	15 - 23	19 - 30	24 - 38	27 - 44	32 - 51	36 - 58	41 - 65	45 - 72
NC	18	26	32	36	41	44	47	49		
18 X 16 20 X 14 28 X 10 36 X 8	FACE AREA 1.70 Feet²	CFM	555	740	925	1110	1295	1480	1665	1850
	THROW, IN FEET	4 WAYS	11 - 18	14 - 22	18 - 28	21 - 32	25 - 37	26 - 42	29 - 47	33 - 53
		3 WAYS	12 - 19	16 - 25	18 - 30	22 - 35	26 - 40	28 - 45	32 - 51	36 - 57
		2 WAYS	13 - 21	17 - 28	23 - 33	24 - 39	28 - 48	31 - 50	36 - 57	39 - 63
		1 WAY	16 - 24	20 - 32	25 - 40	29 - 46	35 - 54	37 - 60	42 - 68	48 - 76
NC	19	26	28	33	41	44	47	50		
18 X 18 20 X 16 24 X 14 28 X 12 28 X 12	FACE AREA 2.00 Feet²	CFM	630	840	1050	1260	1470	1680	1890	2100
	THROW, IN FEET	4 WAYS	11 - 19	14 - 23	19 - 29	21 - 34	26 - 39	27 - 44	30 - 49	34 - 55
		3 WAYS	12 - 20	17 - 26	19 - 31	22 - 36	27 - 42	29 - 46	33 - 52	37 - 58
		2 WAYS	14 - 22	18 - 29	23 - 34	25 - 40	29 - 46	32 - 52	37 - 58	41 - 65
		1 WAY	17 - 25	21 - 33	26 - 41	30 - 48	34 - 55	38 - 62	44 - 70	49 - 78
NC	19	26	32	37	41	45	47	50		
20 X 18 30 X 12 36 X 10	FACE AREA 2.10 Feet²	CFM	720	960	1200	1440	1680	1920	2160	2400
	THROW, IN FEET	4 WAYS	11 - 19	15 - 25	19 - 30	22 - 35	27 - 40	28 - 45	31 - 50	35 - 56
		3 WAYS	12 - 21	17 - 26	19 - 32	23 - 37	28 - 43	31 - 48	34 - 53	38 - 59
		2 WAYS	15 - 23	18 - 29	24 - 35	26 - 41	30 - 47	33 - 53	38 - 60	42 - 66
		1 WAY	17 - 26	21 - 34	27 - 42	31 - 49	35 - 56	39 - 63	45 - 71	50 - 80
NC	19	27	33	37	41	41	48	51		
20 X 20 24 X 18 30 X 14 36 X 12 42 X 10	FACE AREA 2.52 Feet²	CFM	810	1080	1350	1620	1890	2160	2430	2700
	THROW, IN FEET	4 WAYS	12 - 20	16 - 26	20 - 31	22 - 36	28 - 41	29 - 46	32 - 51	36 - 57
		3 WAYS	12 - 22	17 - 27	21 - 33	24 - 38	29 - 44	31 - 49	35 - 54	39 - 60
		2 WAYS	15 - 23	18 - 30	24 - 36	28 - 45	31 - 48	34 - 54	39 - 61	43 - 67
		1 WAY	18 - 27	22 - 35	28 - 43	32 - 51	36 - 58	40 - 64	46 - 73	51 - 82
NC	20	27	34	38	42	45	48	51		
24 X 20 30 X 16 36 X 14 40 X 12 42 X 12 48 X 10	FACE AREA 3.00 Feet²	CFM	420	1280	1600	1920	2200	2560	2880	3200
	THROW, IN FEET	4 WAYS	12 - 20	16 - 27	20 - 32	23 - 37	29 - 42	31 - 48	34 - 53	38 - 59
		3 WAYS	13 - 22	18 - 28	21 - 34	25 - 39	30 - 45	32 - 50	36 - 57	41 - 63
		2 WAYS	16 - 24	19 - 31	26 - 38	30 - 46	32 - 50	36 - 56	41 - 63	45 - 70
		1 WAY	19 - 28	22 - 36	28 - 45	33 - 52	38 - 60	41 - 66	48 - 76	54 - 85
NC	21	28	34	39	43	46	49	52		
24 X 24 30 X 20 32 X 18 36 X 16	FACE AREA 3.50 Feet²	CFM	1110	1480	1850	2220	2590	2960	3330	3700
	THROW, IN FEET	4 WAYS	12 - 21	17 - 28	21 - 34	24 - 39	29 - 44	31 - 49	36 - 55	39 - 61
		3 WAYS	14 - 23	18 - 29	22 - 35	26 - 41	31 - 47	34 - 53	37 - 59	42 - 65
		2 WAYS	16 - 25	20 - 33	26 - 39	30 - 46	34 - 52	37 - 58	42 - 66	47 - 73
		1 WAY	19 - 29	23 - 37	29 - 46	34 - 54	39 - 62	43 - 69	50 - 79	55 - 88
NC	22	29	35	40	44	47	50	53		

Throw values are given for 100 & 50 FPM terminal velocities respectively

CURVED BLADES DIFFUSERS FOR CEILING OR SIDEWALL INSTALLATION

D & 8D MODELS

TABLE N°4

PERFORMANCE DATA

FACE SIZE AND AREA	FACE VEL.		300 FPM	400 FPM	500 FPM	600 FPM	700 FPM	800 FPM	900 FPM	1000 FPM	
	TOTAL PRESSURE		0.030	0.054	0.087	0.129	0.173	0.222	0.285	0.350	
			PULGADAS H ₂ O / INCHES H ₂ O								
32 X 20 36 X 18 40 X 16 46 X 14	FACE AREA 3.80 Feet ²	CFM		1290	1720	2150	2580	3010	3440	3870	4100
		THROW, IN FEET	4 WAYS	13 - 22	18 - 28	22 - 34	25 - 40	30 - 45	32 - 51	37 - 57	40 - 63
			3 WAYS	14 - 23	19 - 30	23 - 36	27 - 42	31 - 48	35 - 54	38 - 61	43 - 67
			2 WAYS	16 - 25	20 - 34	26 - 40	30 - 47	35 - 53	38 - 60	43 - 68	48 - 76
	1 WAY	19 - 30	24 - 38	29 - 47	35 - 55	41 - 64	44 - 71	51 - 82	57 - 90		
NC		22	29	35	40	44	47	50	53		
30 X 24 36 X 20 40 X 18 52 X 14	FACE AREA 4.30 Feet ²	CFM		1470	1960	2450	2940	3430	3920	4410	4900
		THROW, IN FEET	4 WAYS	14 - 23	18 - 29	22 - 35	26 - 41	31 - 46	33 - 52	38 - 59	41 - 65
			3 WAYS	14 - 24	20 - 31	24 - 36	28 - 43	32 - 50	36 - 55	39 - 63	44 - 69
			2 WAYS	16 - 26	22 - 36	27 - 41	31 - 48	36 - 54	39 - 61	44 - 70	50 - 79
	1 WAY	20 - 31	26 - 40	30 - 48	36 - 57	42 - 66	46 - 75	52 - 84	58 - 94		
NC		23	30	36	41	45	48	51	54		
30 X 30 36 X 24 44 X 20 48 X 18	FACE AREA 5.30 Feet ²	CFM		1800	2400	3000	3600	4200	4800	5400	6000
		THROW, IN FEET	4 WAYS	15 - 24	19 - 30	23 - 36	27 - 42	32 - 48	34 - 53	39 - 61	43 - 68
			3 WAYS	16 - 25	21 - 32	25 - 38	29 - 45	33 - 51	37 - 57	40 - 66	46 - 73
			2 WAYS	17 - 27	23 - 37	28 - 42	32 - 50	37 - 56	40 - 63	45 - 73	52 - 82
	1 WAY	21 - 32	27 - 41	31 - 50	37 - 59	43 - 70	48 - 78	54 - 88	63 - 100		
NC		23	31	37	41	45	49	52	55		
32 X 30 34 X 28 40 X 24	FACE AREA 5.60 Feet ²	CFM		1920	2560	3200	3840	4480	5120	5760	6400
		THROW, IN FEET	4 WAYS	15 - 24	19 - 30	24 - 37	28 - 44	33 - 50	35 - 56	41 - 64	45 - 71
			3 WAYS	16 - 26	21 - 33	26 - 39	30 - 47	34 - 53	38 - 60	42 - 69	48 - 75
			2 WAYS	18 - 28	23 - 38	29 - 44	33 - 53	39 - 60	42 - 66	48 - 76	54 - 85
	1 WAY	21 - 33	27 - 42	33 - 52	39 - 62	45 - 72	52 - 81	56 - 92	65 - 104		
NC		24	31	37	42	46	50	53	56		
32 X 32 34 X 30 36 X 28 42 X 24	FACE AREA 6.00 Feet ²	CFM		2040	2720	3400	4080	4760	5440	6120	6800
		THROW, IN FEET	4 WAYS	16 - 25	20 - 32	25 - 39	29 - 46	34 - 53	37 - 59	42 - 67	47 - 74
			3 WAYS	16 - 27	22 - 34	27 - 41	31 - 49	35 - 55	39 - 63	44 - 72	50 - 78
			2 WAYS	19 - 28	24 - 39	29 - 46	34 - 56	41 - 63	44 - 69	50 - 79	56 - 88
	1 WAY	22 - 34	28 - 44	35 - 54	41 - 65	47 - 74	53 - 85	58 - 96	67 - 108		
NC		25	32	38	43	47	51	53	56		
36 X 30 40 X 28 34 X 34	FACE AREA 6.80 Feet ²	CFM		2190	2920	3650	4380	5110	5840	6570	7300
		THROW, IN FEET	4 WAYS	17 - 25	21 - 33	26 - 40	30 - 48	35 - 55	39 - 62	43 - 70	49 - 77
			3 WAYS	17 - 27	23 - 35	27 - 43	32 - 51	37 - 58	41 - 66	46 - 74	52 - 82
			2 WAYS	20 - 29	25 - 39	30 - 47	35 - 58	42 - 66	46 - 72	52 - 83	58 - 91
	1 WAY	22 - 35	29 - 45	36 - 56	43 - 68	49 - 77	55 - 88	61 - 100	70 - 111		
NC		26	33	39	44	48	52	54	57		
36 X 36 38 X 34 42 X 32 44 X 30 48 X 28	FACE AREA 7.85 Feet ²	CFM		2610	3480	4350	5220	6090	6960	7830	8700
		THROW, IN FEET	4 WAYS	17 - 26	22 - 34	27 - 42	32 - 50	36 - 50	36 - 57	45 - 72	51 - 80
			3 WAYS	18 - 28	23 - 36	28 - 45	33 - 53	38 - 61	43 - 69	48 - 77	54 - 86
			2 WAYS	20 - 30	26 - 40	31 - 49	37 - 60	43 - 68	48 - 76	54 - 86	60 - 94
	1 WAY	23 - 36	30 - 47	37 - 58	45 - 70	51 - 80	57 - 91	64 - 104	72 - 114		
NC		27	34	40	45	49	53	55	58		

Throw values are given for 100 & 50 FPM terminal velocities respectively