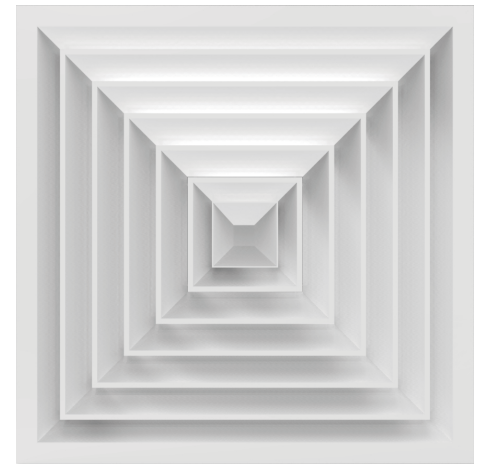


DCPQ MODEL

ALUMINUM SQUARE PANEL DIFFUSER

- Uniform horizontal air diffusion pattern at 360° over a wide range of air volumes and low noise.
- Ideal for home room or offices.
- Its new design allows greater air flow between the diffusion panel and the frame.
- Its construction allows air to be supplied with a compact and horizontal diffusion pattern, that stays that way, even when large air volume variations.



CONSTRUCTION: Extruded aluminum frames; Thick gauge Panel and galvanized steel sheet reduction box. Available in 9 "x 9", 12 "x12" & 15" x15" square necks or with 6", 8", 10", 12" or 14" diameter round neck reducers.(the measure must be smaller of the reducer than diffuser square neck).

FINISH: Standard white Anodic acrylic paint. Other colors available.

PERFORMANCE: Designed to handle differences in temperature from 18° to 20° F in cooling, for ceiling heights from 8 ft to 10. Recommended for be used in variable air volume systems

Dimensional Data

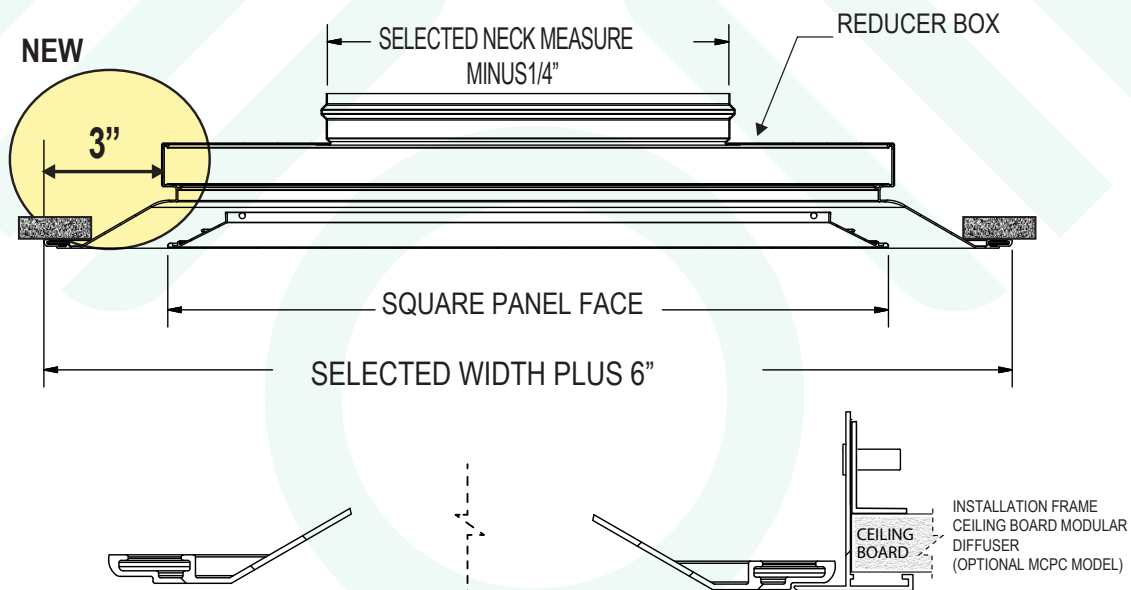


TABLE 1 PERFORMANCE DATA

NECK SIZE		NECK VELOCITY (Feet/Min.)						
		300	400	500	600	700	800	900
VEL. PRESSURE (FT/MIN)		0.0392	0.0725	0.1155	0.1668	0.2278	0.2975	0.382
		INCHES OF WATER COLUMN						
9" x 9"	CFM	169	225	281	338	394	450	506
	TP	0.08	0.18	0.22	0.38	0.43	0.51	0.71
	THROW	8-14	10-16	12-18	15-22	17-33	20-35	23-40
	NC	-	17	20	23	31	34	37
12"x12"	CFM	300	400	500	600	700	800	900
	TP	0.2	0.27	0.33	0.40	0.47	0.53	0.60
	THROW	10-16	12-19	15-20	16-24	18-30	22-36	31-40
	NC	-	-	20	26	32	36	39
15"x15"	CFM	469	625	781	938	1094	1250	1406
	TP	0.22	0.29	0.37	0.44	0.51	0.59	0.66
	THROW	14-18	16-20	18-21	19-25	24-33	28-38	33-42
	NC	-	20	23	29	34	37	41

NOTES:

- 1- CFM IS CUBIC FEET PER MINUTE.
- 2- TP IS TOTAL PRESSURE LOSS, INCHES OF WATER COLUMN
- 3- THROW IS THE AIR STREAM REACH IN FEET AT A TERNINAL VELOCITY OF 150 & 50 FEET PER MINUTE, RESPECTIVELY.
- 4- NC IS NOISE CRITERIA BASED ON 10 dB ROOM ABSORPTION (Re: 10⁻¹² WATTS)
- 5- IF DIFFUSER IS MOUNTED ON AN EXPOSED DUCT, THROW VALUES ARE 70% OF TABULATED VALUES.
- 6- VEL PRESSURE IS FEET PER MINUTE.